



Parts Manual DM-Trac 205 Comfort



Parts_Manual_DM205C_EN_13

Drost Machines BV
Utrechtsestraatweg 204
3911 TX RHENEN

Ordering parts:

Tel: 0031 317 650 350
Fax: 0031 317 650 351
E-mail: parts@nimos.nl
Website: www.nimos.nl

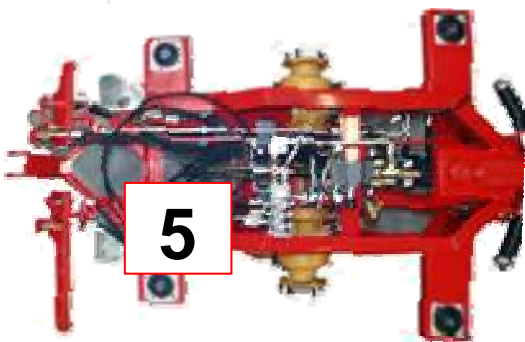
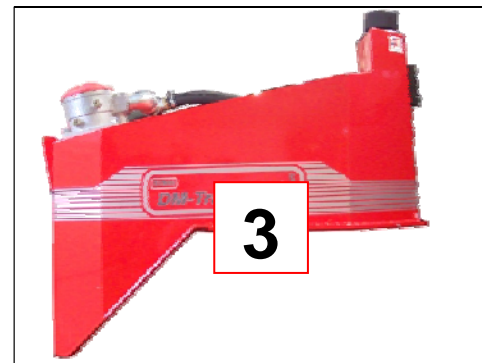








- 1. Cabin 1102..... 6**
 - 1.1 Interior 6
 - 1.2 Explode view cabin..... 10
 - 1.3 Air condition..... 10
 - 1.4 Steering Column..... 18
 - 1.5 Command Arm 20
 - 1.6 Exterior 22
- 2. Hydraulics..... 24**
 - 2.1 Pumps 24
 - 2.2 Functions Implement and Front-lift 26
 - 2.3 PTO Implement 28
 - 2.4 Steering System 30
 - 2.5 Driving System 32
- 3. Reservoirs and Cooling..... 34**
 - 3.1 Hydraulic-oil tank..... 34
 - 3.2 Oil-Cooler 36
 - 3.3 Fuel tank and Battery 38
- 4. Engine compartment 40**
- 5. Chassis 46**
 - 5.1 Chassis Front and Front-lift 46
 - 5.2 Chassis Rear..... 50
 - 5.3 Chassis back..... 48
 - 5.4 A-Frame 54
- 6. Options 56**
- 7. Fast Moving Parts..... 59**





1 Cabin 1102

1.1 Interior

14-9952



40-0924



14-3023-1



14-3012

14-3025

14-2742

16-1513

16-9957





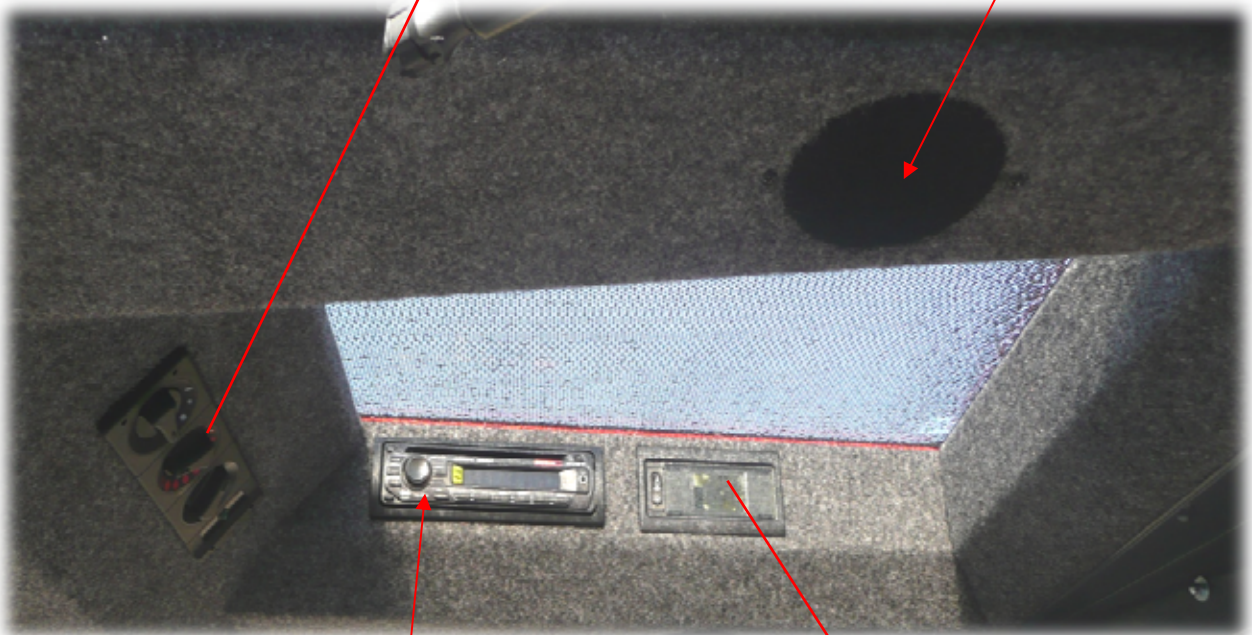
Part code	Description
14-2742	Screen-washer pump + tank
14-3009	Seat, mech. suspended ,
14-3025	Arm rest seat (L and R)
14-9952	Driving pedal DM-Trac (double)
40-0924	Anti-slide rubber
14-3013	Air suspended seat Maximo XL
14-3013-1	Arm rest R Maximo XL
14-3013-2	Arm rest L Maximo XL
14-3014	Air suspended seat Maximo XXL
14-3014-1	Arm rest R Maximo XXL
14-3014-2	Arm rest L Maximo XXL
14-3023	Air suspended seat M98/MT
14-3023-1	Arm rest R in command arm MT
16-1513	Relay
16-9957	Direction indicator relay
16-4227	Fuse 10A
16-4230	Fuse 25A
16-4231	Fuse 30A



14-0968

14-0970

16-9907



14-9908

16-0669



14-9937



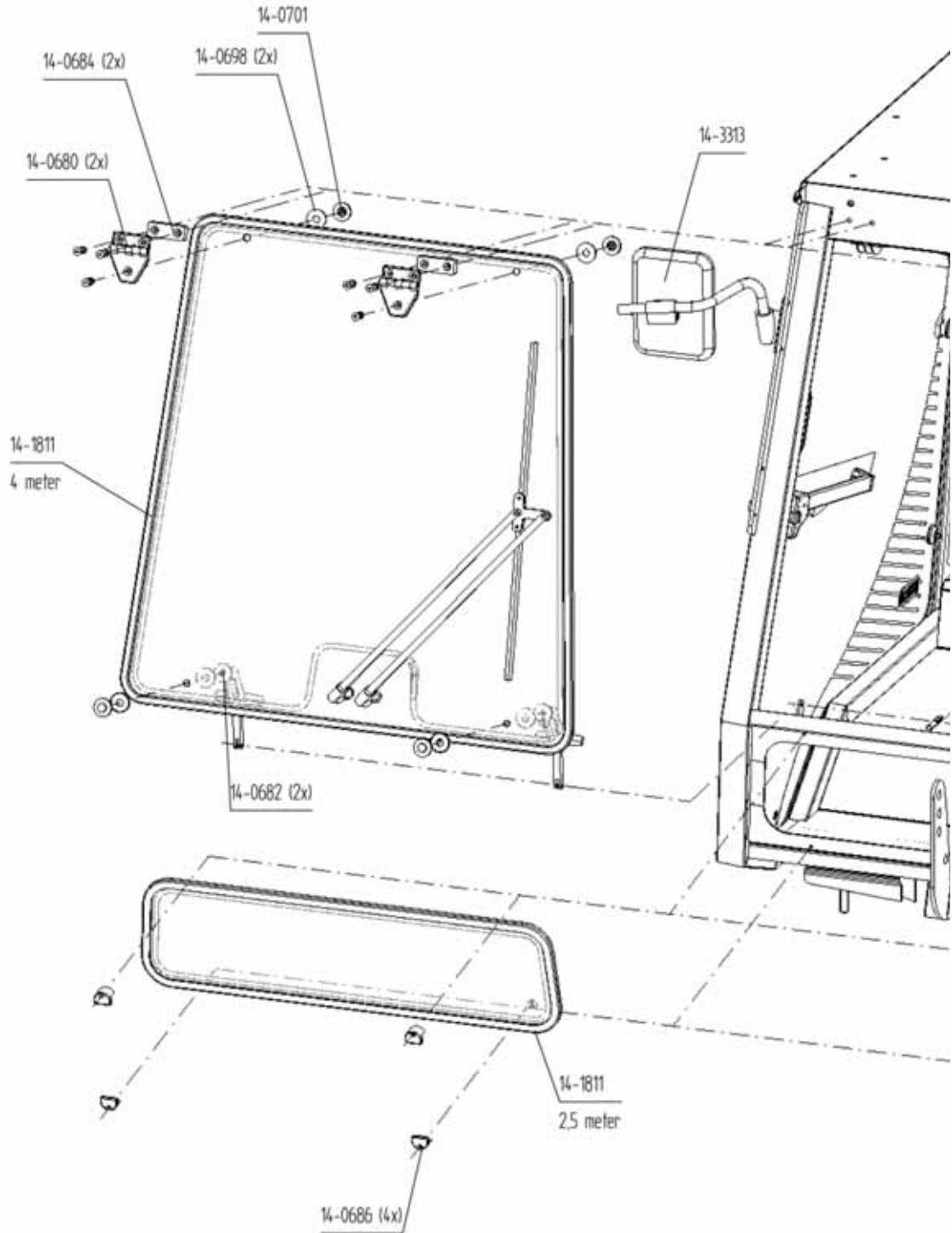
14-0665

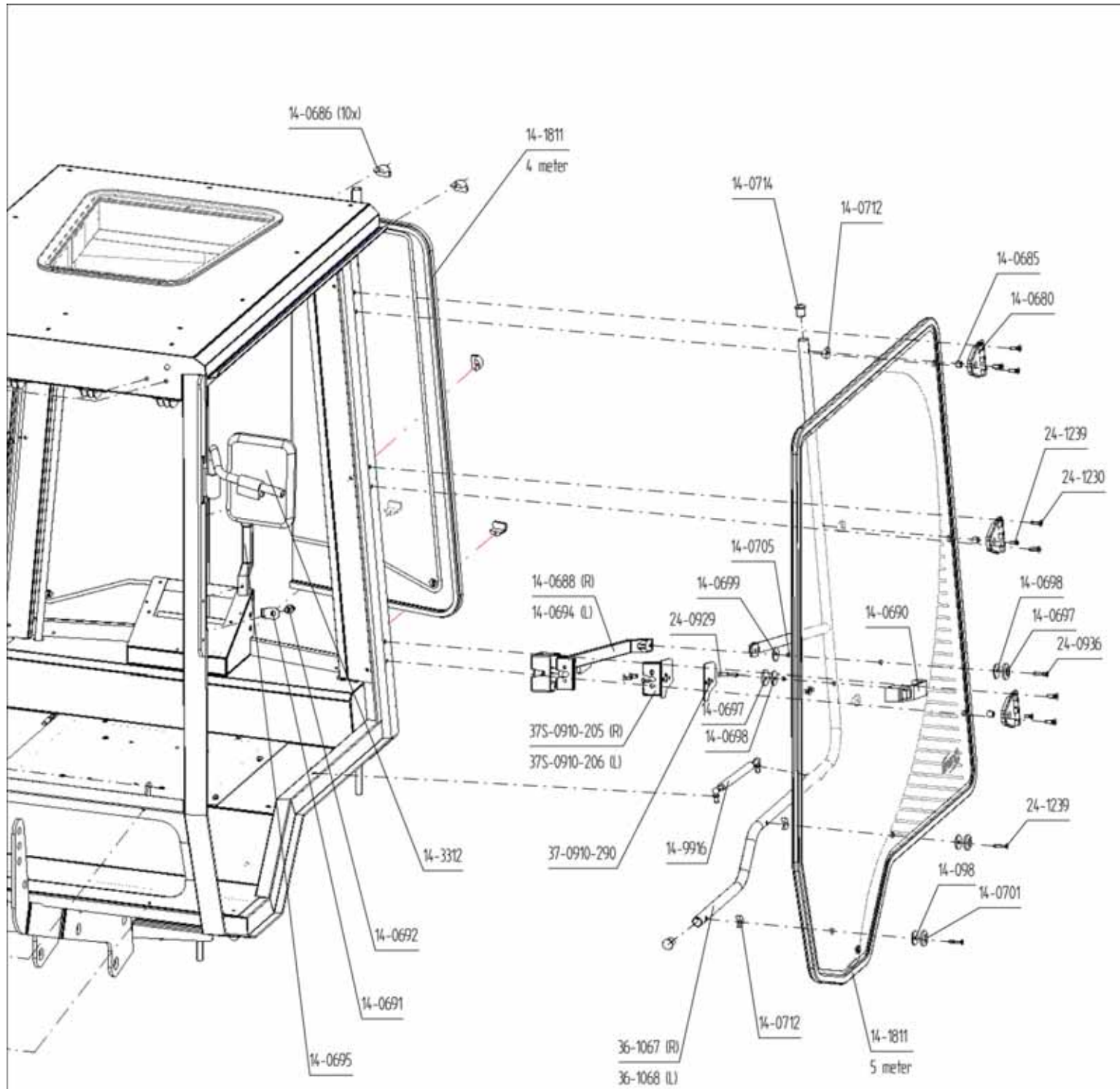


Part code	Description
14-0968	Control panel air conditioning/heater with lamp
14-9937	Cabin lighting
16-9907	Speakers 40W 2-way
16-9908	Radio-CD-player



1.2 Explode view cabin









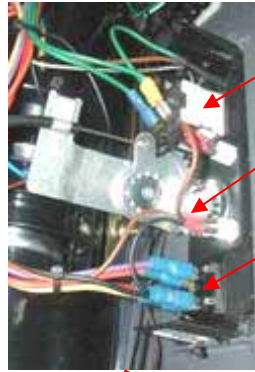
Part code	Description
14-0680	Plastic hinge
14-0684	Distance plate plastic
14-0685	Distance bush
14-0686	Lock position
14-0688	Right door handgrip
14-0690	Handgrip outdoor L or R
14-0691	Screen door lock barrel
14-0692	Door lock barrel
14-0694	Left door handgrip
14-0695	Assist grip
14-0697	Plastic ring 6
14-0698	rubber ring for window
14-0699	Rubber ring for window
14-0703	Plastic ring with hex
14-0705	Distance bush
14-1813	Surround seal weather-strip
14-2415	Ventilation breather
14-2420	Air ventilation grid
14-2706	Wiper motor
14-2718	Front-screen wiper
14-2739	Wiper blade
14-2748	Screen washer nozzle
14-9916	Gas spring
14-3312	Outside mirror with arm L
14-3313	Outside mirror with arm R
16-2148	Rotation lamp flexible
16-2170	Heat light R
16-2172	Heat lamp L
28-0334	Tinted window front
28-0337	Tinted window front under
28-0635	Tinted window back R
28-0637	Tinted window back L
28-0955	Tinted window door R
28-0957	Tinted window door L



1.3 Air condition

16-1524

16-1530



14-1224

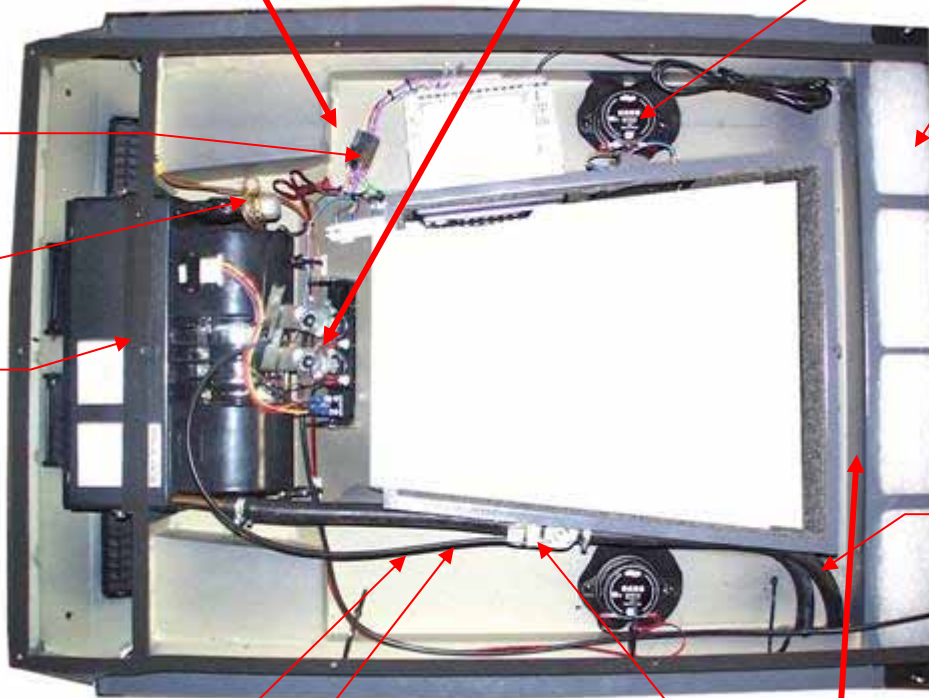
14-0968

14-0931

16-9902

14-0965

14-1202



16-9907

46-9948

20-3036

18-0302

18-0301

14-1215



36C-6024

14-1208



14S-1228



14-1211

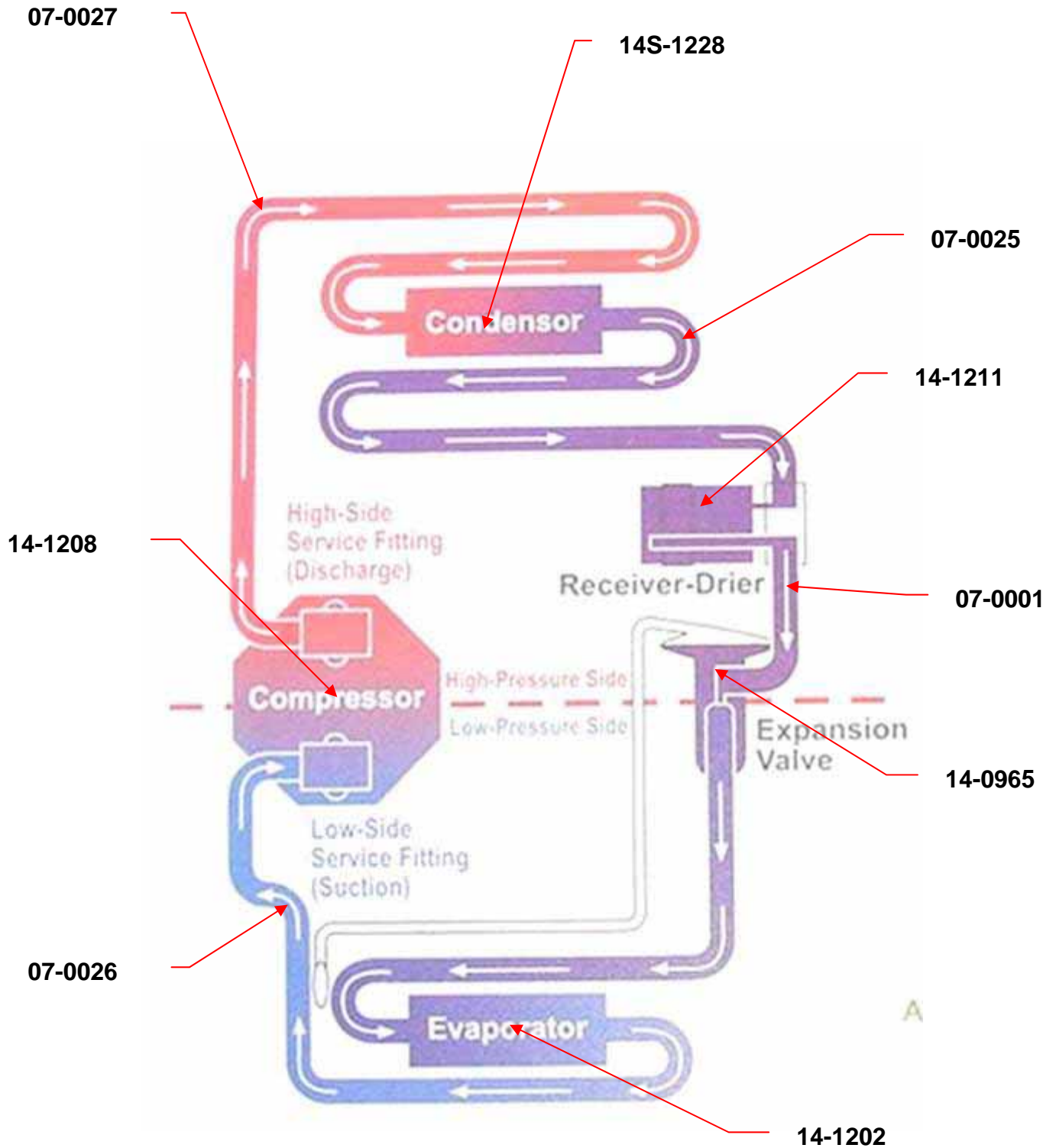
14-1237



Part code	Description
14-0965	Expansion valve
14-0968	Switch panel
14-0931	Switch for blower 3 pos
14-1202	Heater DM-Trac 205
14-1208	Airco compressor
14-1211	dehydrator
14-1215	Heater valve
14S-1228	radiator
14-1224	Temperature switch air-co
14-1237	Pressure sensor
16-1524	Relay 12V 4-pole (switch over)
16-1530	Holder relay and clip
16-9902	ISO connector (Radio)
16-9907	Speakers 40W 2-way
18-0301	Cable (inside) 1,5mm (heater)
18-0302	Cable (outside) 1,5mm (heater)
20-0638	Air filter cabin 1102 (two peaces are needed for filtration)
20-3036	Water hose 16mm
36C-6024	Compressor tension member



Air conditioning system



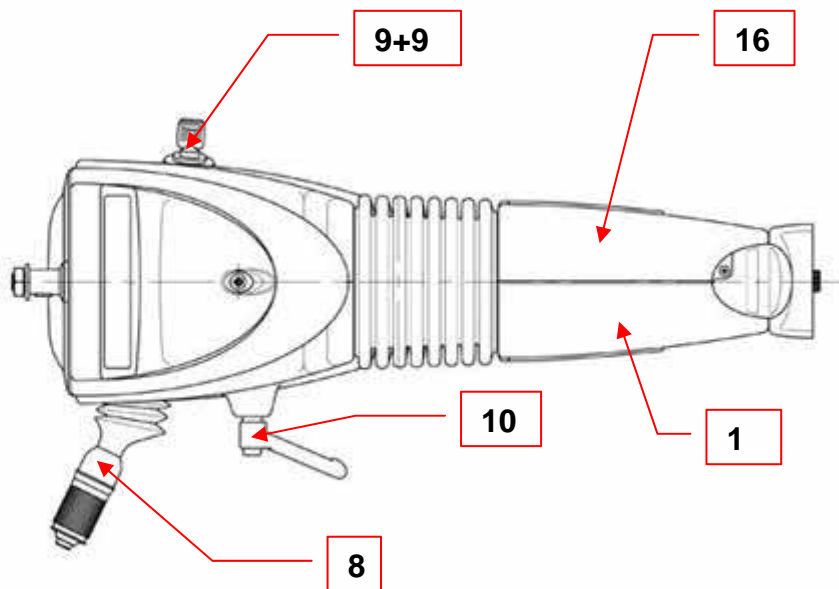
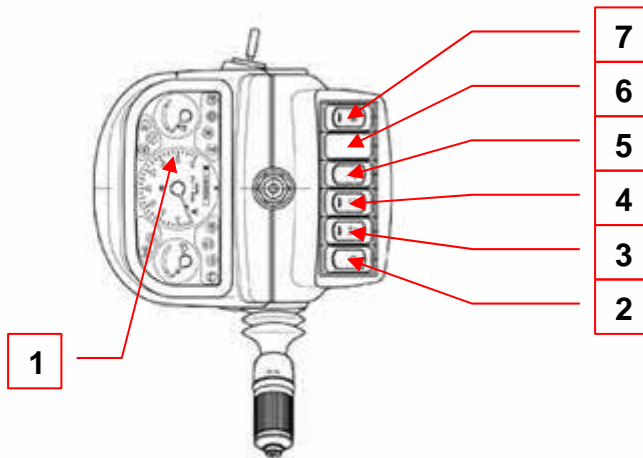
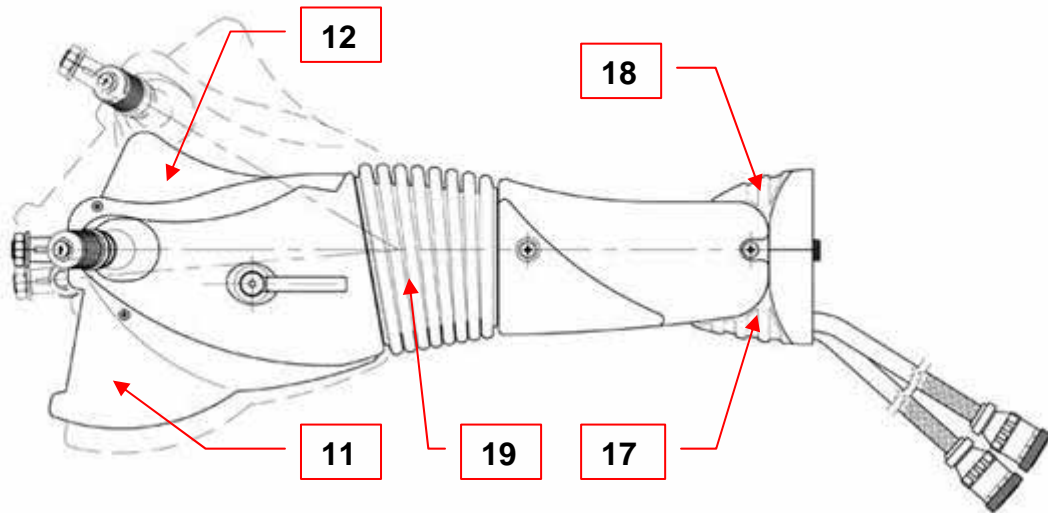


-

Part code	Description
07-0001	Air-co hose A1
07-0027	Air-co hose A27
07-0025	Air-co hose A25
07-0026	Air-co hose A26
14-0965	Expansion valve
14-1202	Heater DM-Trac 205
14-1208	Air-co compressor
14-1211	Receiver-drier
14S-1228	Condenser
20-1533	V-Belt Air-co Compressor
10-0401	Sealing ring 6
10-0403	Sealing ring 8
10-0405	Sealing ring 10



1.4 Steering Column





No	Partcode	Disription
	16-2803	Steering column (Complete)
1	16-2804	Meter unit
2a	16-2805	Switch Road light
2b	16-2806	Knob for switch
2c	16-2807	Bracket for switch
3a	16-2808	Switch Rotating light
3b	16-2809	Knob for switch
3c	16-2810	Bracket for switch
4a	16-2811	Switch working light
4b	16-2812	Knob for switch
4c	16-2810	Bracket for switch
5a	16-2814	Switch hazard light
5b	16-2815	Knob for switch
5c	16-2810	Bracket for switch
6a	16-2817	Blind
6b	16-2810	Bracket for switch
7a	16-2819	Switch Parking brake
7b	16-2820	Knob for switch
7c	16-2807	Bracket for switch
8	16-2822	Combi switch turning light, washer, horn
9	16-2802	Inanition switch
9a	16-2801	Ignition key
10	16-2823	Steering-column lock
11	16-2824	Plastic cover top rear
12	16-2825	Plastic cover top front
13	16-2826	Plastic cover left
14	16-2827	Plastic cover right
15	16-2828	Plastic cover left bottum
16	16-2829	Plastic cover right bottum
17	16-2830	Plastic cover bottum
18	16-2831	Plastic cover bottom
19	16-2832	Rubber flexible
20	16-2833	Wiring for column
	16-2838	Cable connector for switches
21	16-2839	37 pin connector (chassis mount)
22	16-2840	37 pin connector (cable mount)



1.5 Command Arm

16-1534
14-9901
14-9902
14-9903
14-9904

16-0669

16-0942

16-0659

16-0960

16-0957

16-0661



16-0643

16-0672

18-0606

16-0659

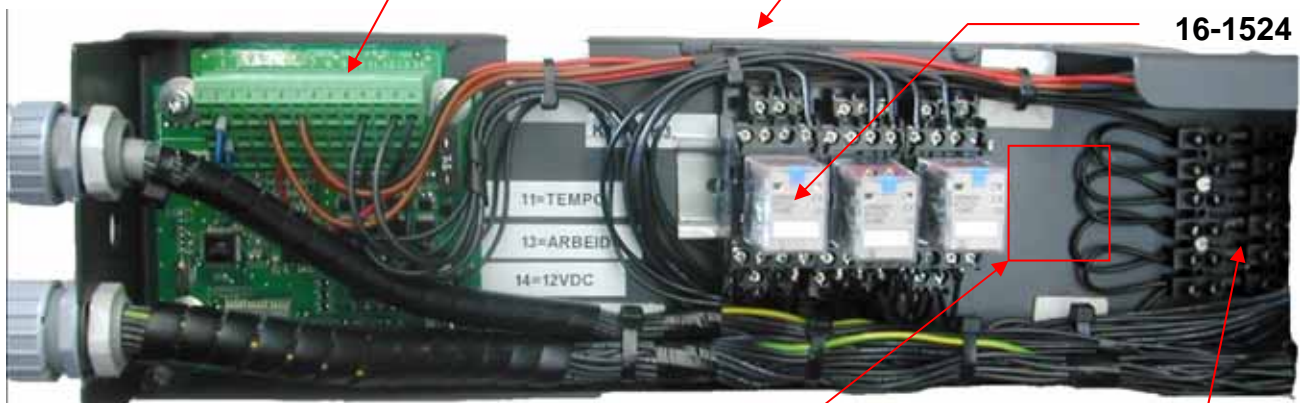
16-06



16-1552

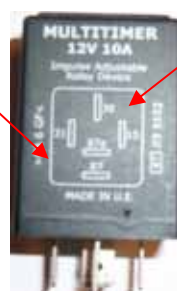
16-1530

16-1524



16-1516

16-9953

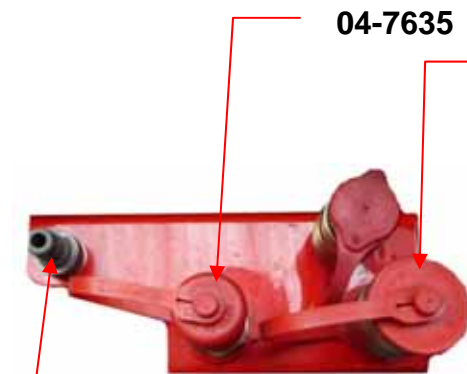




Partcode	Disription
16-0606	Accelerator control handle
16-0643	Joystick 4 position
16-0659	Switch, 3-pos.
16-0657	Switch, 2-pos. With lock
16-0669	Switch, 3-pos. Spring Return (2)
16-0672	Cover, Switch
16-0942	Symbol, Quick-Couplings
16-0957	Symbol, PTO Rear
16-0960	Symbol, PTO
16-1524	Relay 12V 4-pole (switch over)
16-1530	Holder relay and clip
16-1552	Controller
16-9953	diode
16-1534	Potential meter
14-9901	Potential control knob
14-9902	Potential control knob
14-9903	Potential control knob
14-9904	Potential control knob



1.6 Exterior



12-9915

04-7548
04-7546

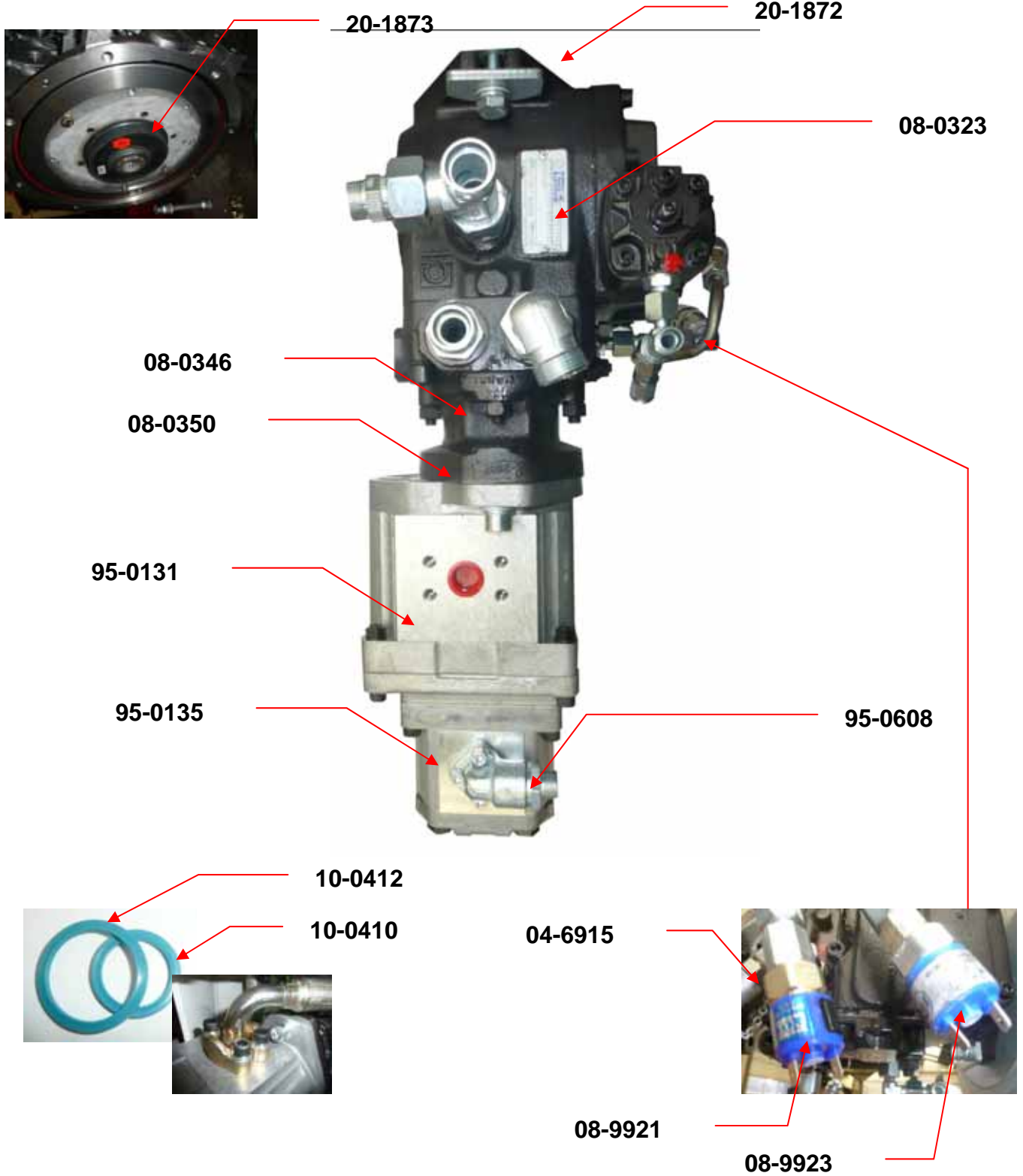


Partcode	Disription
04-7544	Quick coupling female ½"
04-7546	Dust cap ½"
04-7542	Quick coupling male 1/2"
04-7544	Quick coupling female 1/2"
04-7548	Dust cap red male 1/2
04-7546	Dust cap red female 1/2
04-7570	Dust cap red male 3/4
04-7572	Dust cap red female 3/4
04-7633	Quick coupling female 3/4
04-7635	Quick coupling male 3/4
04-7643	Dust cap green male 1/2
04-7640	Dust cap green female 1/2
04-7644	Dust cap yellow male 1/2
04-7641	Dust cap yellow female 1/2
04-7645	Dust cap bleu male 1/2
04-7642	Dust cap bleu female 1/2
12-9915	Water quick coupling
14-1503	Vibration silencer (Cabin 4x)
14-2745	Screen-washer hose
14-2754	Screen-washer hose connector
16-2176	Working light (front and back)
16-2148	Rotation light (flexible) 12V
24-3918	Sheet-metal ring M16



2 Hydraulics

2.1 Pumps

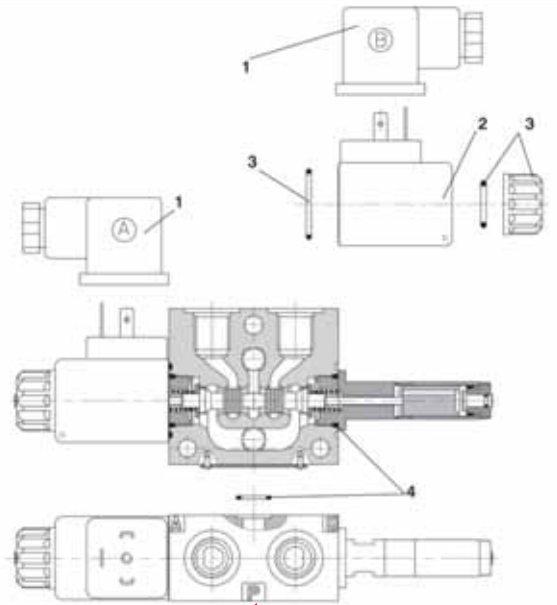
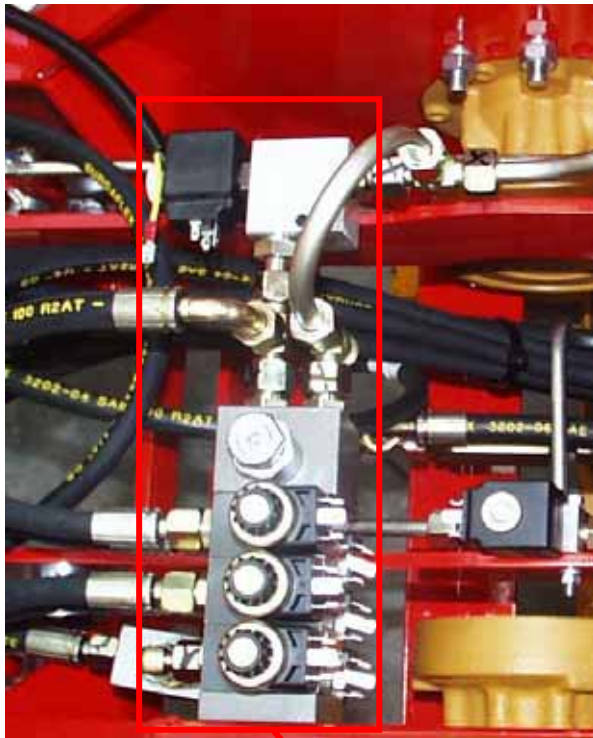




Partcode	Disription
04-6918	Measurement point coupler
04-6915	Measurement point coupler
04-6906	Measurement point coupler
08-0323	Driving-pump DM-Trac
08-0403	Scavenging valve
08-9921	Pressure switch IP 30-350 bar Brake light
08-9923	Pressure switch IP 0-2 bar Backing light cruise control
08-0346	SAE flange with fill pump
08-0350	Sealing ring
10-0410	Sealing ring
10-0412	Sealing ring
20-1872	Back plate
20-1873	Coupling Engine/Pump
95-0131	Gear pump 25cc/6cc complete (PTO)
95-0135	Gear pump 6cc (steering)
95-0608	Pump flange 2x



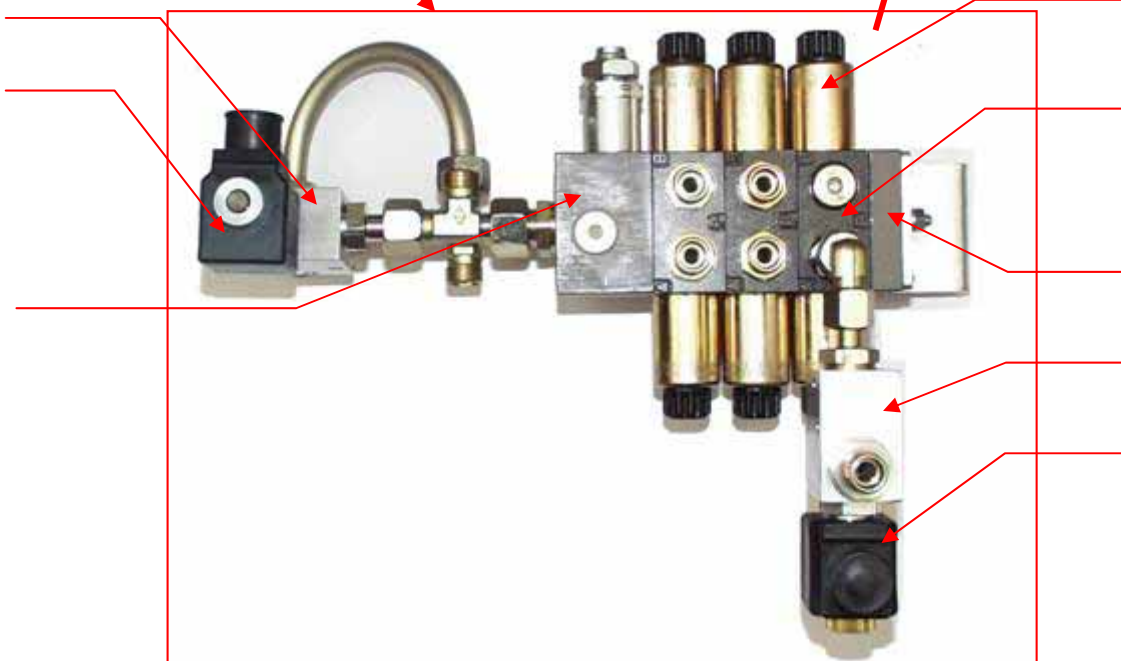
2.2 Functions Implement and Front-lift



08-1219

08-1217

08-2302



08-2298

08-2300

08-2303

08-1218

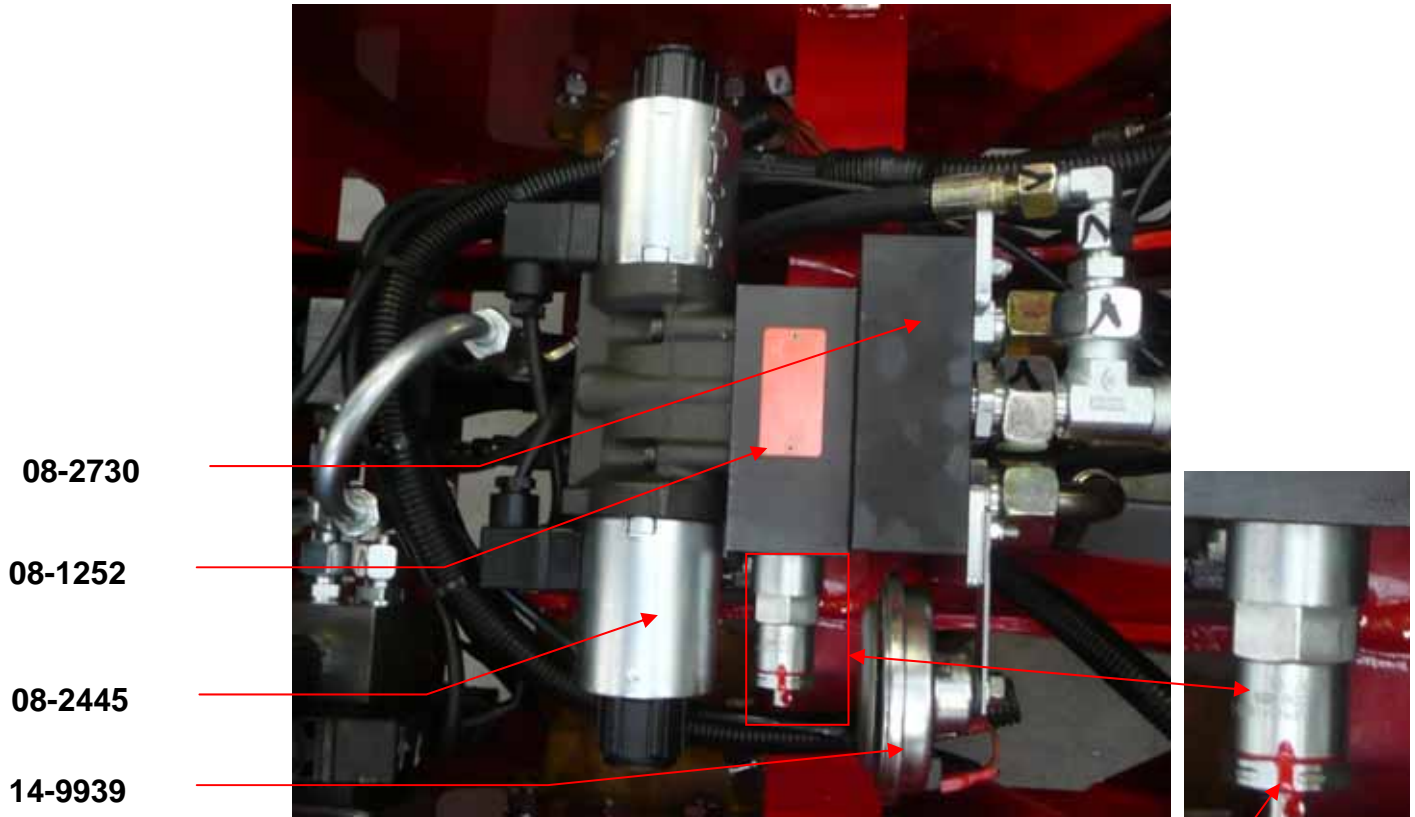
08-1217



Partcode	Disription
08-1217	Coil 2/2 valve 12VDC
08-1218	Valve 2/2 NC 12VDC (front lift)
08-1219	Valve 2/2 NO 12VDC
08-2298	Coil Valve NG3 12VDC
08-2300	Valve 4/3 12VDC NG3
08-2302	Mounting plate incl. relief valve
08-2303	Endplate Valve NG3
14-9939	Horn



2.3 PTO Implement



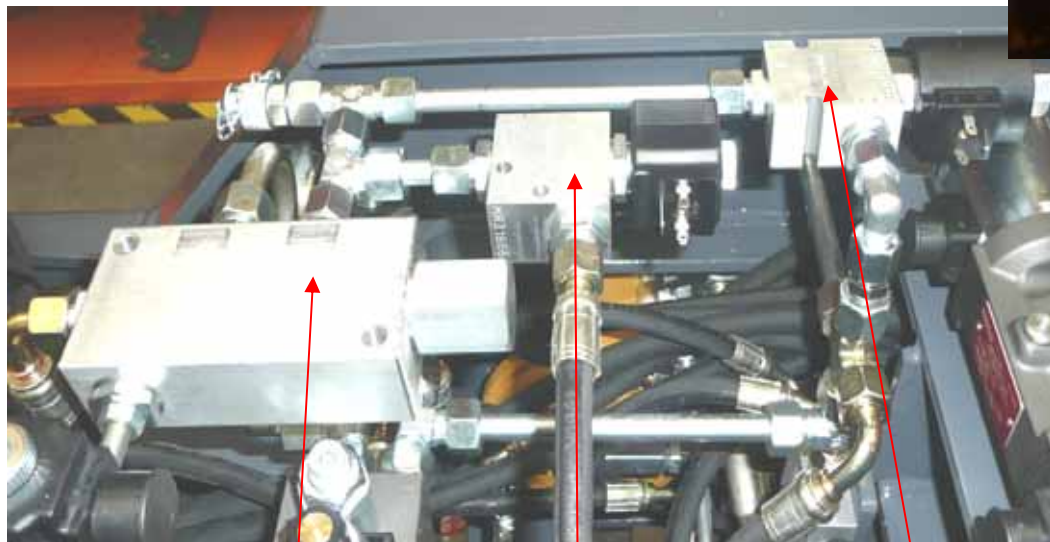
08-2730

08-1252

08-2445

14-9939

08-1263



08-1206

08-1218

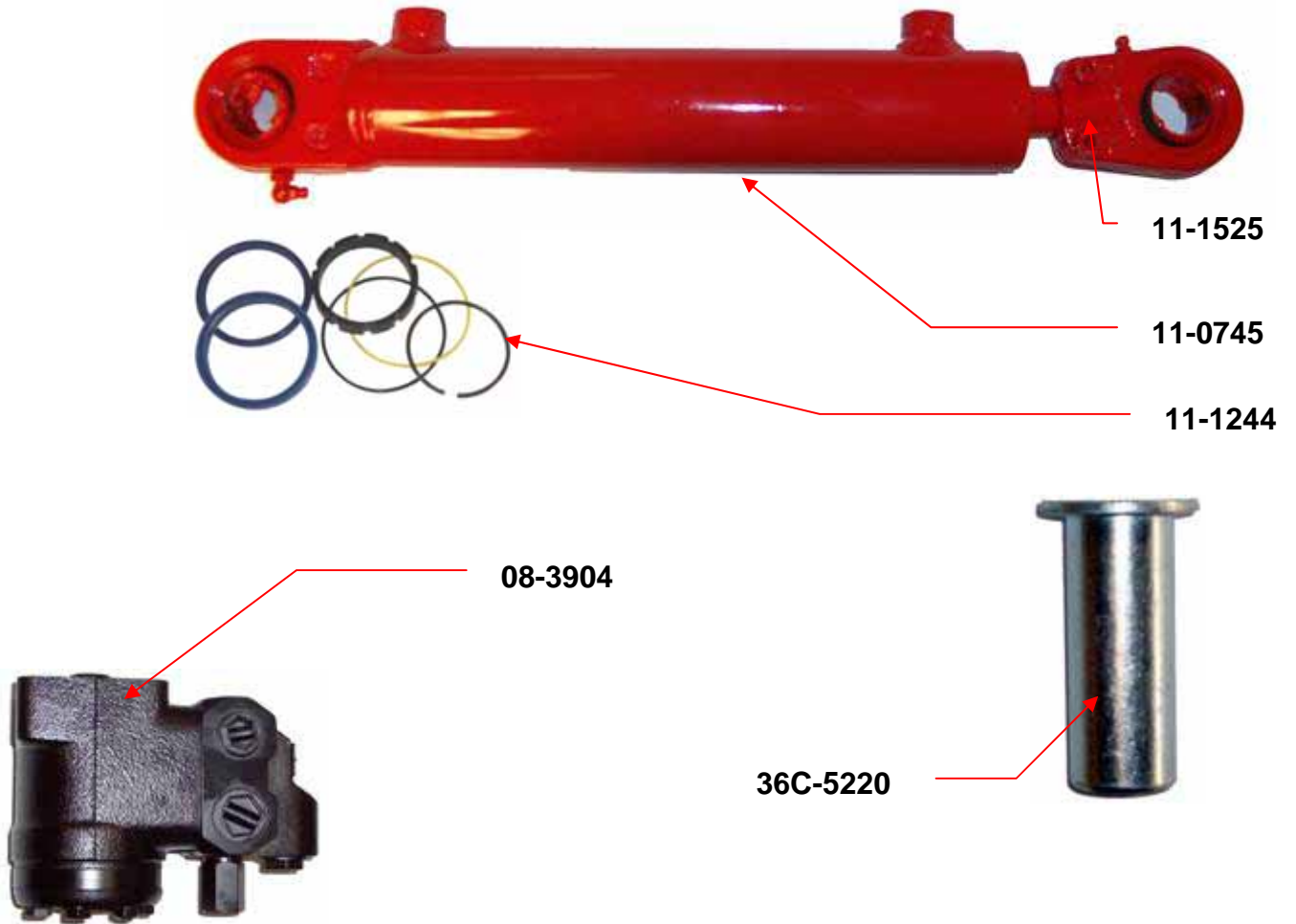
08-1259



Partcode	Disription
08-1206	Proportioning valve
08-1218	2/2 valve
08-2445	Valve 4/3 12VDC NG10 (PTO)
08-1252	Coil Valve NG10 12VDC
08-1263.	Cartridge for 08-1252
08-2730	Mounting plate valve NG10
08-1248	Pressure valve
08-1259	Pressure reducing valve (ground pressure)
14-9939	Horn



2.4 Steering System

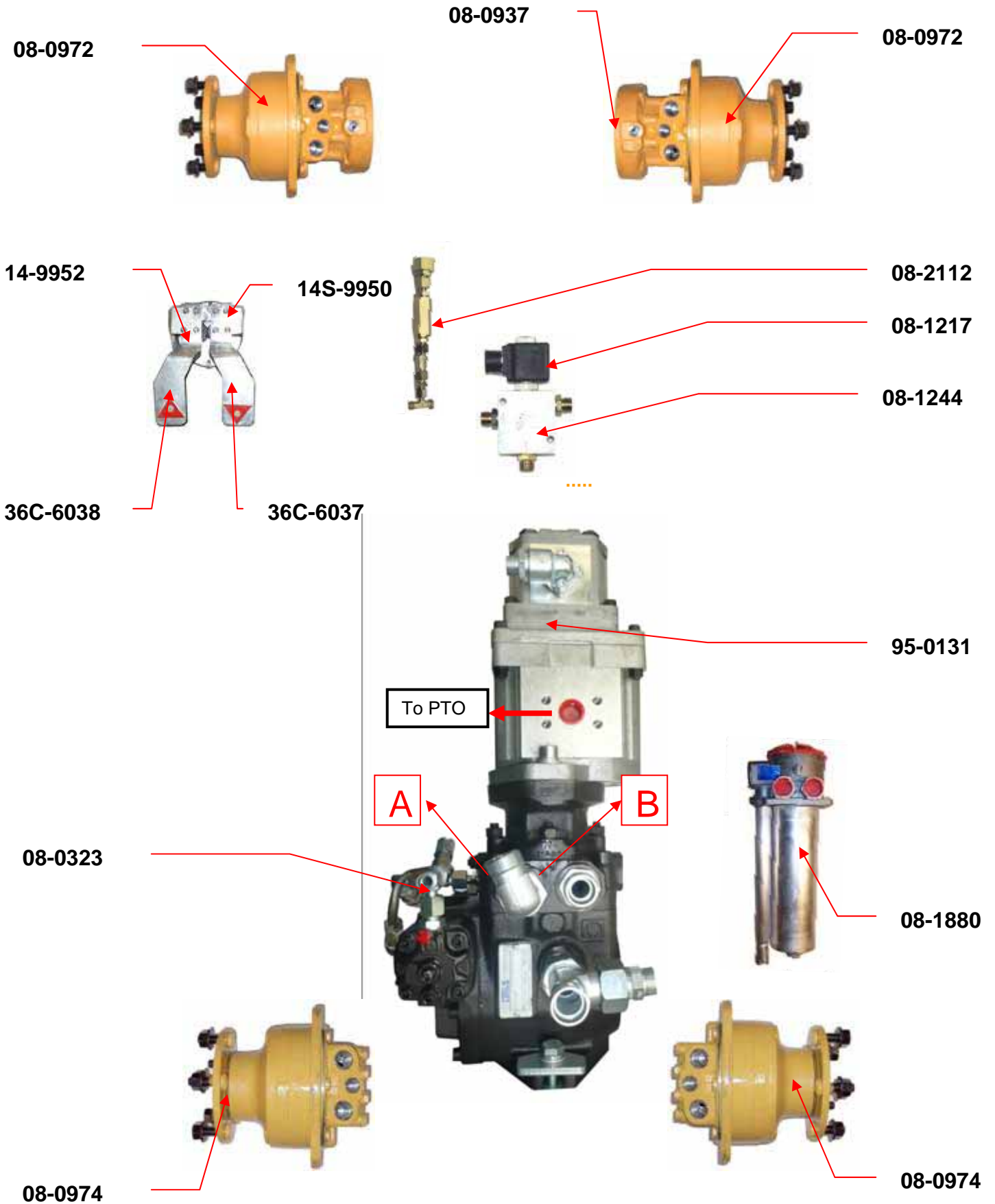




Partcode	Disription
08-3904	Orbitrol OSPC 80LS+Prio
11-0745	Steering cylinder DM-Trac 205
11-1244	Seal kit cylinder 25/50
11-1525	Ball joint end 20mm
36C-5220	Pin ø30mm pitching



2.5 Driving System





Parts Manual DM-Trac 205 Comfort

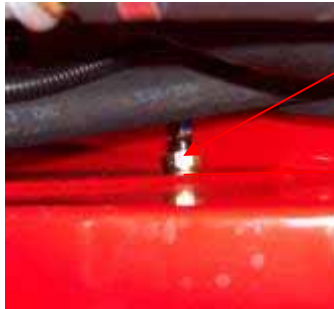


Partcode	Disription
08-0323	Driving-pump DM-Trac
08-0972	Weel-motor front DM-Trac 205
08-0974	Weel-motor rear DM-Trac 205
08-1217	Coil 2/2 valve 12VDC
08-1244	Valve 3/2 12VDC (brake system)
08-1880	Hydraulic filter (suction/return)
08-2112	Check valve
14-9952	Driving pedal DM-Trac
95-0131	pump 25cc /6cc(PTO)Complete
14S-9950	Bracket for driving pedal left / right
36C-6038	Driving pedal left side
36C-6037	Driving pedal right side with ADP
08-0937	Seal kit for wheel-motor with brake

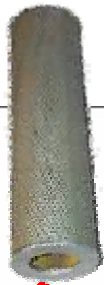


3 Reservoirs and Cooling

3.1 Hydraulic-oil tank



08-3621



08-1885

08-1880



08-4812

08-4506



Partcode	Disription
08-1880	Hydraulic filter (suction/return)
08-1885	Hydraulic filter element
08-3621	Temperature switch oil-tank
08-4506	Gauge glass
08-4812	Filler/Breather filter 7 mu



3.2 Oil-Cooler



08S-3610

10-0344

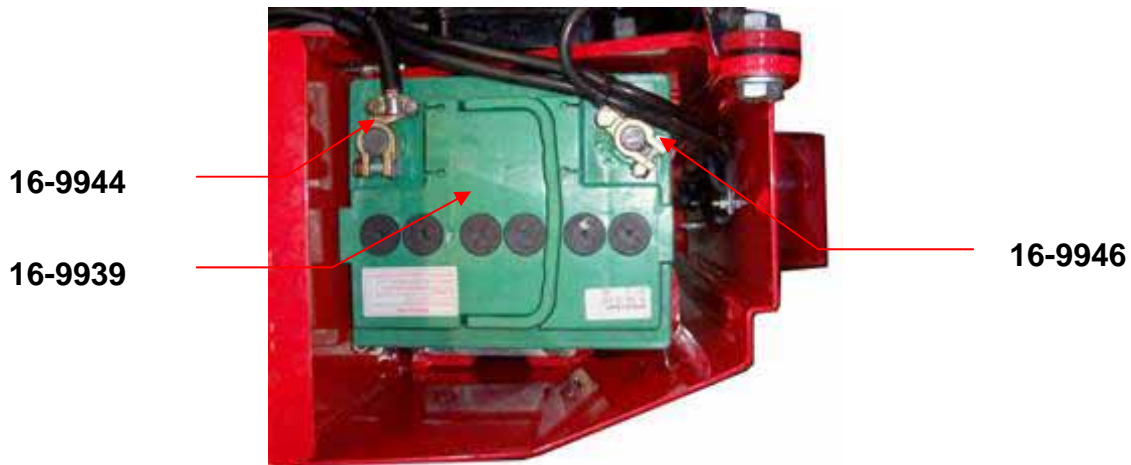




Partcode	Disription
08-3611	Oil-cooler DM-Trac 205
08S-3610	Cooler fin for 08-3611
10-0344	Sealing ring



3.3 Fuel tank and Battery





Partcode	Disription
08-4800	Breather filler TR2
16-9944	Battery-terminal clamp -
16-9946	Battery-terminal clamp +
16-9939	Battery 12V 62 Ah
20-0312	Rain cap
20-9939	Tank transmitter
22-0941	Striping



4 Engine compartment



20-4844

20-1766



20-1221

20-1214

20-9930

20-4841



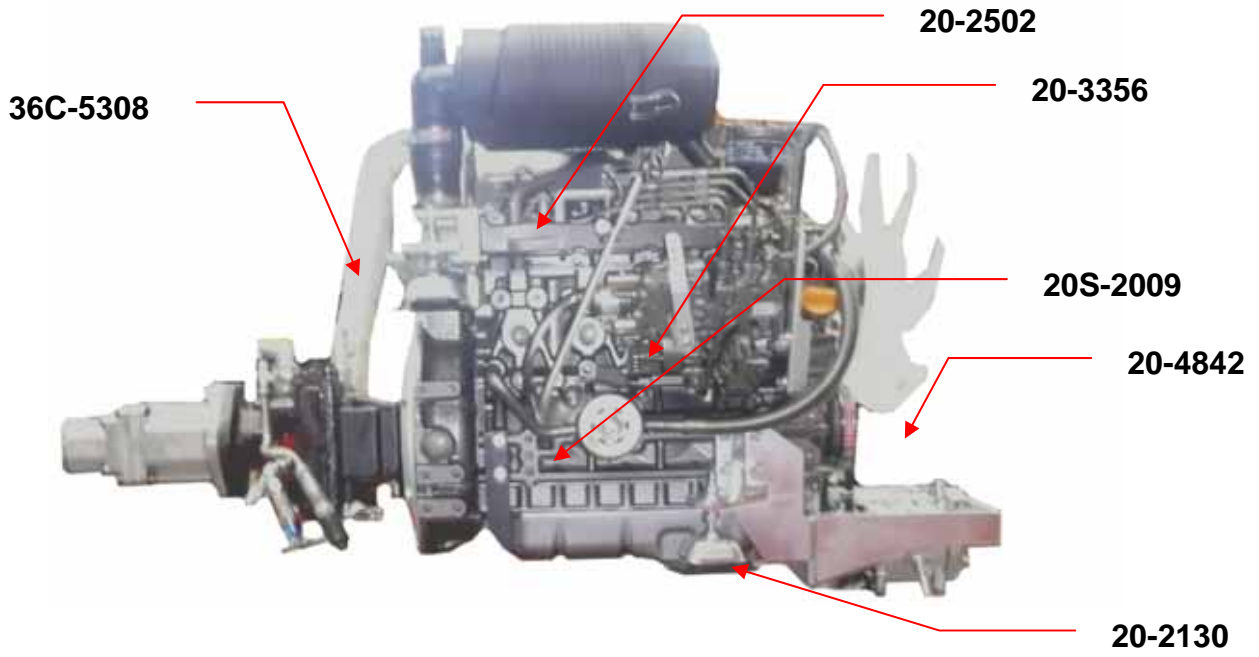
20-0645



20-3072



Partcode	Disription
20-0645	Air filter cartridge
20-1766	Fuel pump
20-3009	Fuel hose RM 8
20-3036	Water hose 16mm
20-3080	Air hose 76mm
20-1214	Fuel filter
20-0318	Air filter complete
20-1221	Water fuel filter
20-3072	Air filter hose
20-9930	Air flow sensor
20-0918	Motor oil filter
20-4841	Radiator
20-4844	Radiator-big fin space



20-8009



20-2130



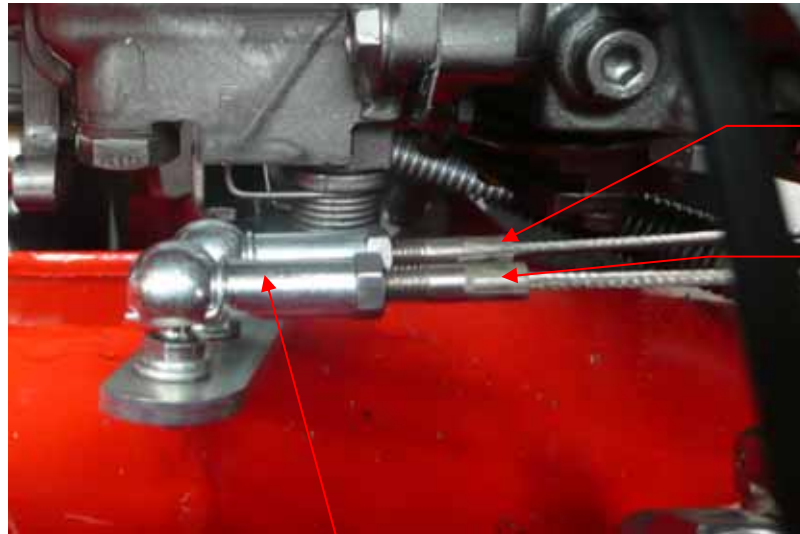
20-3911



20-4217



Partcode	Disription
20-2130	Vibration damper (engine)
20-2502	Muffler Yanmar
20-3356	Engine Yanmar 4TNV88
20-4217	Generator 80A Yanmar
20-4841	Radiator
20S-0307	Radiator(option)
36C-5308	Exhaust pipe DM-trac 205
20-4842	Cooling fan
20-1873	Motor/pump coupling
20-4828	Radiator
20-3911	Engine starter
20-8009	Oil pressure sensor
20-2456	Gasket
20-9970	Thermostat Yanmar
20S-2009	Engine-oil level stick



18-0467

18-0468

18-1203



20-9938

20-1553

20S-3048

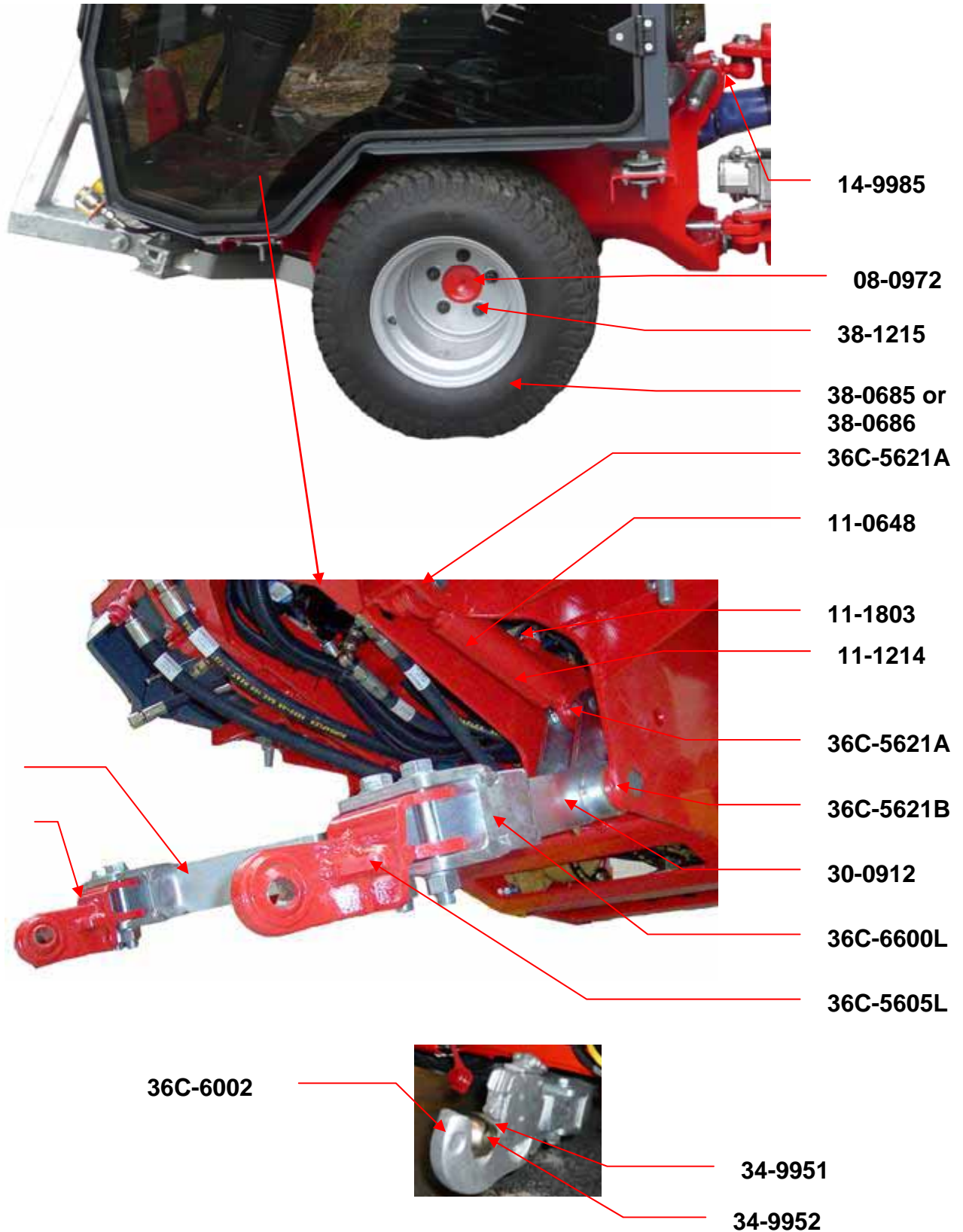


Partcode	Disription
18-0468	Accelerator cable (hand)
18-0467	Accelerator cable (foot)
18-1203	Coupling ball M5
20-9938	Water temperature sensor
20-1553	V-belt Yanmar
20S-3048	Water sensor max.



5 Chassis

5.1 Chassis Front and Front-lift





Partcode	Disription
08-0972	Wheel-motor front DM-Trac 205
11-0648	Frontlift cylinder DM-Trac 205
11-1214	Sealkit for 11-0648
11-1803	Air-breather filter
14-1503	Vibration damper (Cabin)
14-9985	Protection boot
30-0912	Sliding bearing
34-9951	Ball for trailer coupling
34-9952	Bush for trailer coupling
36C-6002	Trailer coupling
36C-5605L	Coupler A-frame L
36C-5605R	Coupler A-frame R
36C-5621A	Pin ø20 mm lift-arm DM-Trac 205
36C-5621B	Pin ø30 mm lift-arm DM-Trac 205
36C-6600L	Liftarm L DM-Trac 205
36C-6600R	Liftarm R DM-Trac 205
38-1215	Wheel nut M14 x 1,5
38-0685	Tire 26 x 12.0-12 4ply/ ET-45
38-0686	Tire 26 x 12.0-12 8ply/ ET-45
38S-0685	Rim for 38-0685 and 38-0686
08-2137	Reducering valve



38-2410

24-2488



34-9954

36C-5185

24-3370



Parts Manual DM-Trac 205 Comfort



Partcode	Disription
24-3370	Disk-spring torsion system
24-2488	Nut
36C-5185	Pin stability DM-Trac 205
36C-5220	Pin ø30mm pitching
34-9954	Shackle



5.2 Chassis Rear





Partcode	Disription
08-0974	Wheel-motor rear DM-Trac 204
20-0312	Rain-cap 76mm
36C-5104	Cap oilcooler DM-Trac 205
36C-5145	Grill oilcooler DM-Trac 205
38-1215	Weel nut M14 x 1,5
38-0685	Tire 26 x 12.0-12 4ply/ ET-45
38-0686	Tire 26 x 12.0-12 8ply/ ET-45



5.3 Chassis back



20-2106A

34-9912

16-2110

36C-5157

16-2113

16-9918

12-9915

34-9935

36-0591

16-0685



22-0303



38-9927



04-7534

04-7548

04-7536

04-7546



Partcode	Disription
04-7534	Quick coupling male 1/2"
04-7536	Quick coupling female 1/2"
04-7546	Dust plug 1/2
04-7548	Dust cap 1/2
11-9915	Attaching nipple washer
16-2110	Rear-combination light L
16-2111	Rear-light cover Left
16-2113	Rear-combination light R
16-2114	Rear-light cover Left
16-9918	Coupling plug 7pole (ligth)
20-2106	Damper body
20-9921	12v connecting
22-0303	Sticker Nimos
34-3910	Lock for tipping-box
34-9912	Hood closure
34-9935	Rear coupling
36C-5150	Grill Radiator DM-Trac 205
38-9927	Lock
36-0591	Bull bar for Dm-trac 205(optie)
16-0685	12v connecting



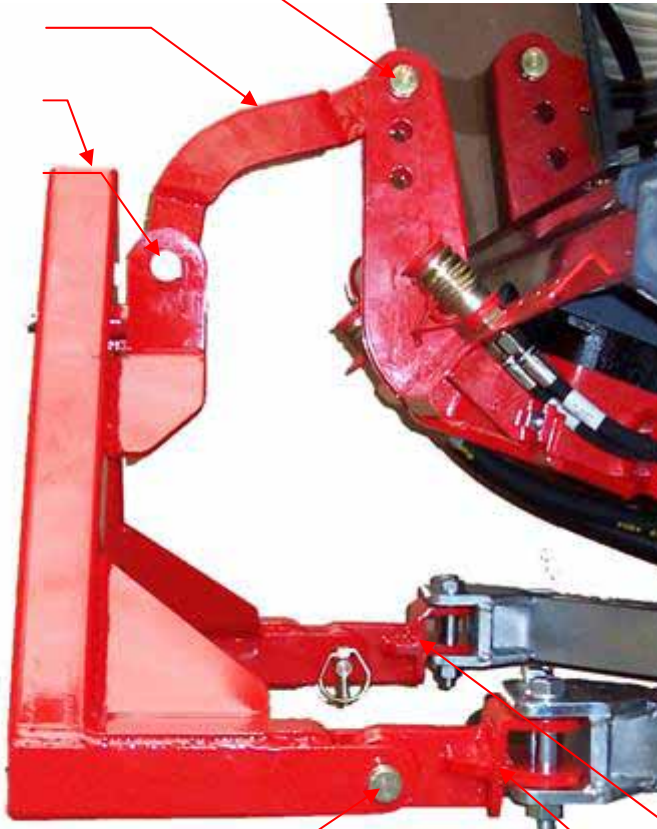
5.4 A-Frame

34-0324

36C-5660

52-2705

34-0324



34-0327

36C-5605R

36C-5605L



Partcode	Disription
34-0324	Top link pin 19mm
34-0327	Top link pin 22mm
52-2705	A-frame 205 Comfort
36C-5660	Top link A-frame



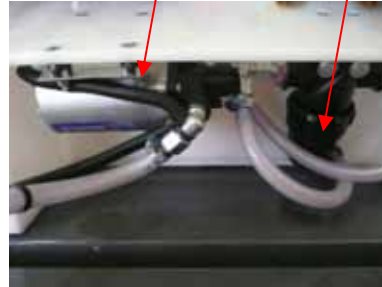
6 Options



36-0589

12-9925

12-9973



14-3310

16-2176



36-0579



Partcode	Disription
12-9925	Washer pump OKB
14-3303	Mirror
14-3310	Drive rearward camera complete
16-2176	Working light
16-9962	Drive rearward alarm
36-0579	Mud flap
36-0589	Lager system segmenting
36-0626	Hydraulics dump complete
36-5603R	Mirror brace
11-0708	Cylinder
12-9973	Water filter



36-0626

11-0708



36C-5605R

14-3303



16-9962



7. Fast Moving Parts

Partcode	Disription
08-4812	Filler/Breather filter 7 mu
08-1885	Hydraulic filter element (suction/return)
16-4227	Fuse 10A
16-4230	Fuse 25A
18-0468	Accelerator cable (hand)
18-0467	Accelerator cable (foot)
20-0645	Air filter Yanmar
20-0638	Air filter 1102 cabin
20-0918	Oil filter Yanmar
20-1214	Fuel filter Yanmar
201221	Washer fuel filter