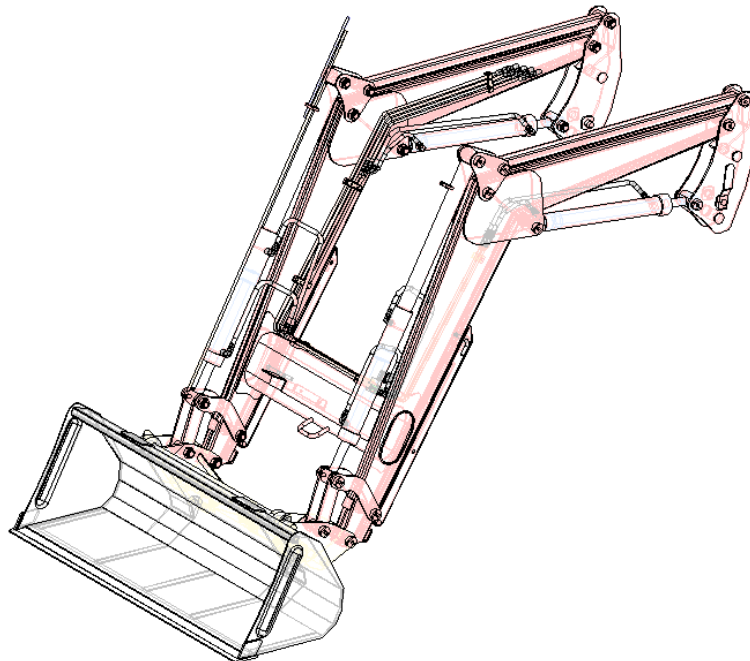


TAE SUNG

**OPERATING & SAFETY
MANUAL
KL1595
700 SERIES
FRONT END LOADER
& ATTACHMENTS**



TAESUNG MFG. CO., LTD.

Table of contents

• Introduction	1
• Safety precautions	2~4
Safety alert symbol	2
Important safety precautions	3~4
• Operation instructions and safety tips	5~9
Filling the bucket	5
Lifting the load & Rollback Carrying the load	6
Carrying the load	6
Loading from a pile	7
Dumping the bucket	7
Back Grading	7
Digging with bucket	8
Backfilling	8
Incorrect loading	9
• Attaching and Detaching loader frame arms	10~11
Detaching procedure	10~11
Attaching procedure	11
• Attaching and Detaching attachments	12~13
Attaching attachments	12
Detaching attachments	13
• Lubrication and Maintenance	13

INTRODUCTION

The purpose of this manual is to assist you in maintaining and operating your loader. Read it carefully, it furnishes information and instructions that will help you achieve years of dependable performance. Some information may be general in nature due to unknown and varying conditions. However, through experience and these instructions, you should be able to develop operating procedures suitable to your particular situation.

"Right" and "Left" as used throughout this manual are determined by facing the direction the machine will travel when in use.

The photos, illustrations and data used in this manual are current at the time of printing, but due to possible in-line production changes, your machine may vary slightly in detail. The manufacturer reserves the right to redesign the machine as may be necessary without notification.

Important:

Illustrations used in this manual may not show all safety equipment that is recommended to ensure safe operation of tractor and loader. Refer to the Safety Precautions section of this manual for information concerning safety. consult your dealer for further information.

Serial Number and Location

The serial number is important information about the machine and it may be necessary to know it before obtaining the correct replacement part.

The serial number should be recorded on the Delivery and Registration form and also below for your reference.

Safety Alert Symbol



This Safety Alert Symbol means: **“ATTENTION! BECOME ALERT! YOUR SAFETY IS INVOLVED!”**

This symbol is used to call attention to safety precautions that should be followed by the operator to avoid accidents. When you see this symbol, carefully read the message that follows and heed its advice. Failure to comply with safety precautions could result in death or serious bodily injury.

Safety Signs *Signal Words*

The signal words **DANGER, WARNING, AND CAUTION** are used on the equipment safety signs. These words are intended to alert the viewer to the existence and the degree of hazard seriousness.



This signal word indicates a potentially hazardous situation which, if not avoided, will result in death or serious injury.



This signal word indicates a potentially hazardous situation which, if not avoided, could result in death or serious injury

It may also be used to alert against unsafe practices



This signal word indicates a potentially hazardous situation exist which, if not avoided, may result in minor or moderate injury.

It may also be used to alert against unsafe practices.

IMPORTANT SAFETY PRECAUTIONS

This symbol is used to call attention to safety precautions that should be followed by the operator to avoid accidents. When you see this symbol, carefully read the message that follows and heed its advice. Failure to comply with safety precautions could result in death or serious bodily injury.



In addition to the design and configuration of equipment, hazard control and accident prevention are dependent upon the awareness, concern, prudence and proper training of personnel in the operation, transport, maintenance and storage of equipment. Lack of attention to safety can result in accident, personal injury, reduction of efficiency and worst of all—loss of life. Watch for safety hazards and correct deficiencies promptly. Use the following safety precautions as a general guide to safe operations when using this machine. Additional safety precautions are used throughout this manual for specific operating and maintenance procedures. Read this manual and review the safety precautions often until you know the limitations.

THE LOADER

1. Read the loader operator's manual to learn how to operate your loader safely. Failure to do so could result in serious injury or death and equipment damage.
2. Become familiar with all the machine's controls and all the caution, warning and danger decals affixed to the machine before attempting to start or operate.
3. Improper use of a loader can cause serious injury or death.
4. Do not lift or carry anybody on the loader or in the bucket or attachment.
5. Never allow anyone to get under the loader bucket or reach through the booms when the bucket is raised.
6. Do not walk or work under a raised loader bucket or attachment unless it is securely blocked or held in position
7. Avoid overhead wires and obstacles when loader is raised. Contacting electrical lines can cause electrocution.
8. Make sure all parked loaders on stands are on a hard, level surface.
9. Use a piece of cardboard or wood rather than hands and wear eye protection when searching for hydraulic leaks.
Escaping hydraulic oil under pressure can penetrate skin. If oil is injected into skin, it must be surgically removed within a few hours by a doctor or gangrene may result.
10. Before disconnecting hydraulic lines, relieve all hydraulic pressure.
11. Do not tamper with the relief valve setting. The relief valve is pre-set at the factory. Changing the setting can cause overloading the loader and tractor and serious operator injury may result.
12. Always wear safety goggles when repairing or servicing machine.

SAFETY PRECAUTIONS CONTINUED

13. When servicing or replacing pins in cylinder ends, buckets, etc., always use a brass drift and hammer. Failure to do so could result in injury from flying fragments.
14. Replace damaged or illegible safety decals. See decal page for required decals.
15. Do not modify or alter or permit anyone else to modify or alter the loader, any of its components or any loader function without first consulting your local dealer.

OPERATING THE LOADER

1. It is the loader owner's responsibility to instruct and have a person read operator's manual, safety decals and become familiar with machine controls before allowing them to operate loader.
2. Do not allow children to operate the loader.
3. Before starting or operating the equipment, make a walk around inspection and check for loose or damaged components. Correct any deficiency before starting.
4. Keep the area of operation clear of all persons, particularly small children. The operator should cease operation whenever anyone comes within the operating area.
5. Operate the loader from the "Operator's Seat Only."
6. Exercise caution when operating the loader with a raised loaded bucket.
7. Avoid loose fill, rocks and holes. They can be dangerous for loader operation or movement.
8. Be extra careful when working on inclines.
9. Allow for the loader length when making turns.
10. Stop the loader arms gradually when lowering or lifting.
11. Use caution when handling loose or shift able loads.
12. Carry loader arms at a low position during transport.
13. Lower loader arms, stop engine, and lock brakes before leaving the tractor seat.
14. Operate the loader controls only when properly seated at the controls.
15. Do not use loader for handling large, heavy objects such as logs, oil drums, etc.
16. Handling large, heavy objects is dangerous due to:
 - *Possibility of rolling the tractor over.
 - *Possibility of upending the tractor.
 - *Possibility of the object rolling or sliding down the loader arms onto the operator.

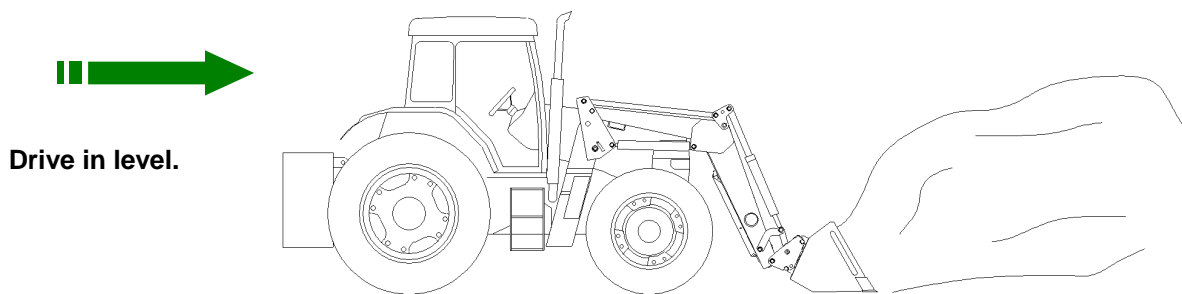
OPERATING INSTRUCTIONS and SAFETY TIPS

Operating Front Wheel Assist Tractor

When operating the loader/tractor unit with front wheel assist engaged, to enable an even transmission loading, it is recommended that a rear linkage counterweight be fitted.

Filling The Bucket

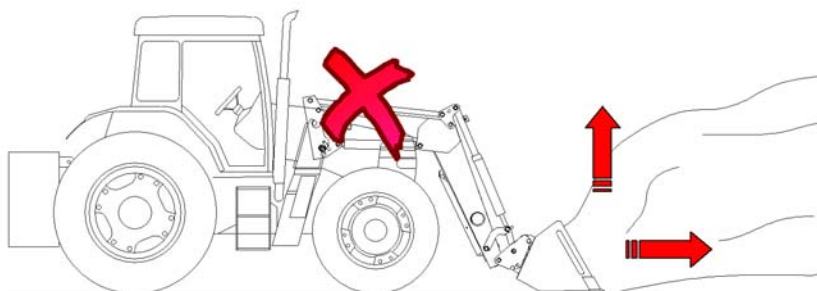
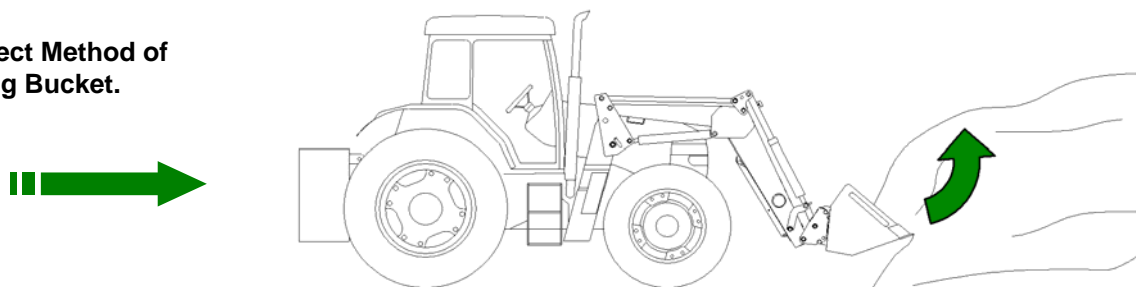
Approach and enter the pile with a level bucket.



For optimum performance move the control lever(s) to direct pressure to both the lift and crowd cylinders, effectively lifting and rolling the bucket back.

The combined action of the lift and crowd cylinders increase loading efficiency, whereas a level bucket (throughout the lifting cycle) creates more resistance against bucket lifting and increases the break-out force required.

Correct Method of Filling Bucket.



Incorrect Method of Filling Bucket.

NOTE : Overfilling the bucket in heavy or packed material may cause the loader to stall. If loader stalls, back up or reduce the amount of material to be handled.

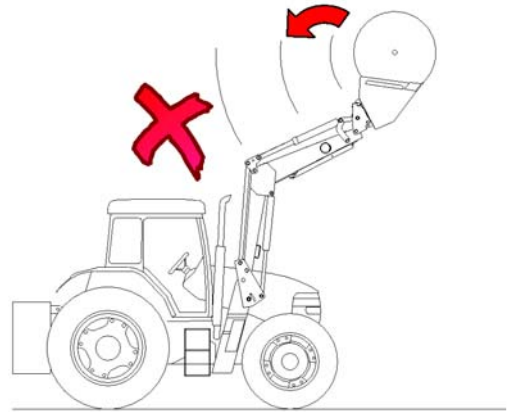
Lifting the Load & Rollback

DANGER - Avoid serious injury or death from falling objects.

Your Front End Loader is fitted with a Mechanical Level Lift System, when operated correctly you will avoid any chance of rollback.

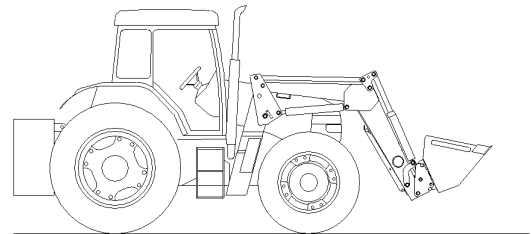
DO NOT handle round bales unless loader is equipped with an approved bale handling attachment. Otherwise the bale can fall (rollback) onto the operator or bystanders as loader is raised.

Never lift a load while the tractor is in motion. As a competent operator you should travel to the point where load is to be raised, cease all motion, raise the load as required to clear stock pile or vehicle, then travel the final distance with care and load or unload attachment. The same applies when moving away from a stock pile or vehicle, reverse until loader clears obstruction, cease all motion, lower loader to travel height then proceed to reverse away looking in the direction of travel at all times.

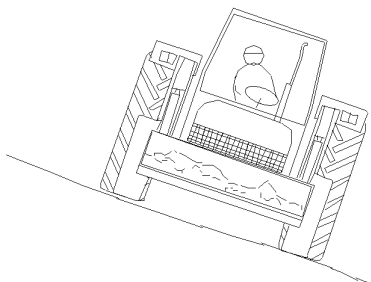


Carrying The Load

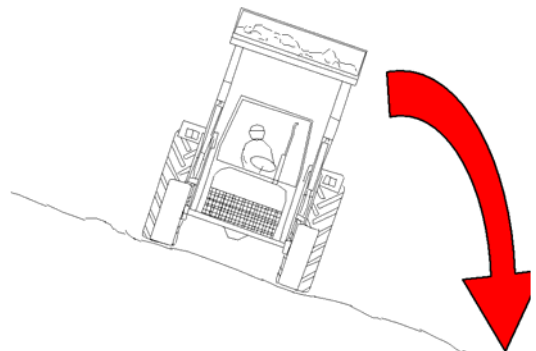
For maximum stability and visibility, carry the attachment as low as conditions allow, irrespective of whether the attachment is loaded or empty. When traveling with a load, **do not exceed 8 kph**.



When operating the loader on a hill or slope, maximize tractor stability by keeping the centre of gravity of the attachment as low as possible. Ensure a counterweight is fitted and rear wheel track has been set to the widest practical position. Likewise, in case a wheel drops in a rut when transporting a load, keep the attachment as low as possible to avoid rollover. **Travel slowly.**



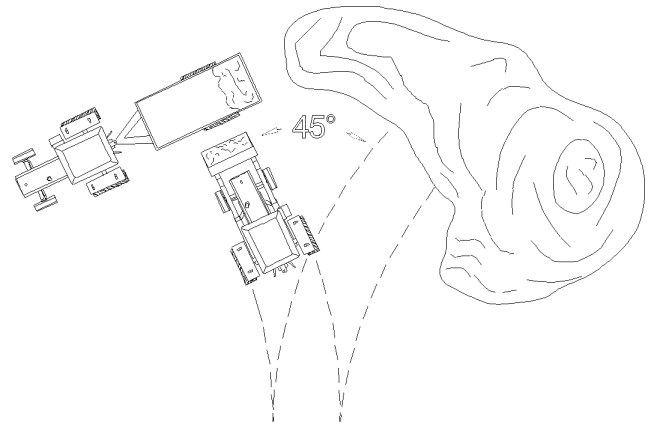
Safe Centre of Gravity of Load



Unsafe High Centre of Gravity of Load

Loading From A Pile

To increase loading efficiency, minimize the angle of turn and length of run between the pile and the vehicle. Always keep the working area clean to maintain a level platform, prevent tyre damage and speed up loading cycle. Carry loaded bucket just above ground and only raise the loader when reaching the vehicle.



Dumping The Bucket

Lower a heavy load slowly. Stopping a heavy loader suddenly after it has gained downward momentum may result in damage to the loader/tractor unit.

When dumping a load into a vehicle, lift the bucket high enough to clear the side of the vehicle and move the tractor in as close as possible before dumping the bucket. After dumping, back away from the vehicle until loader is clear, lower loader to travel height then proceed to reverse away looking in the direction of travel.

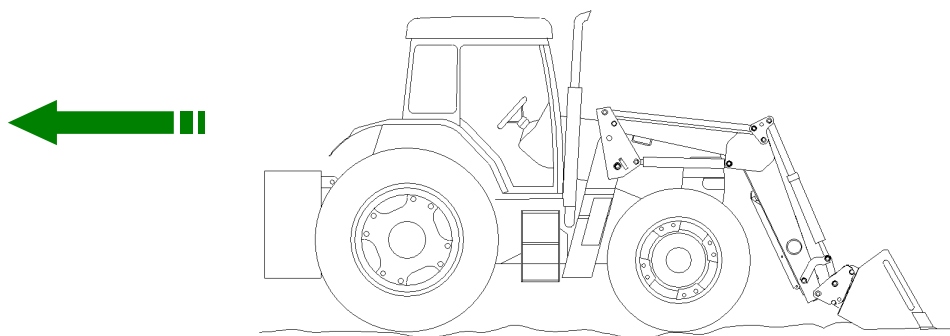


CAUTION!

Do not use the "float" position of the hydraulic control valve to lower the loader. Loss of control results and the loader boom arms will fall due to its own weight.

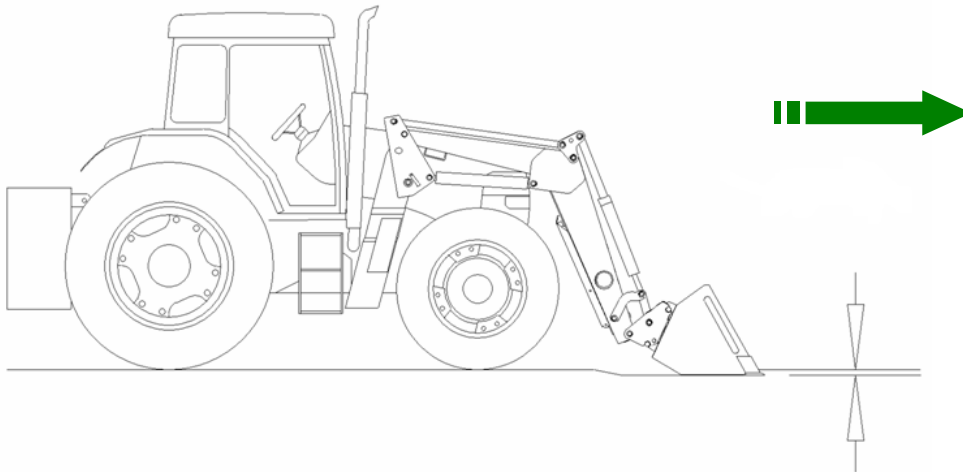
Back Grading

To back grade the work surface orientate the bucket so that the bottom of the bucket is horizontal to ground line, using the heel of the bucket to move material while the bottom creates a smooth flat surface. This can be done with the bucket loaded (using weight of bucket) and the lift circuit in float allowing loader frame arms to maintain bucket contact to work area while tractor travels over uneven ground. Alternately with the bucket flat but empty you can apply slight down pressure with loader frame arms.



Digging With Bucket

Adjust bucket to level position and lower frame arms to the ground. Drive forward and tilt the bucket forward making it penetrate the ground, once the cut has been started roll the bucket back to the level position and at the same time lower the frame arms, use the bucket cylinders to adjust and maintain a cut 50~70mm deep, move forward until bucket is full and crowd bucket back, continue this sequence until total required depth is reached. Wheel spin will be avoided if the cut is not too deep, but within reason the nature of the soil will determine the depth of cut that can be taken.



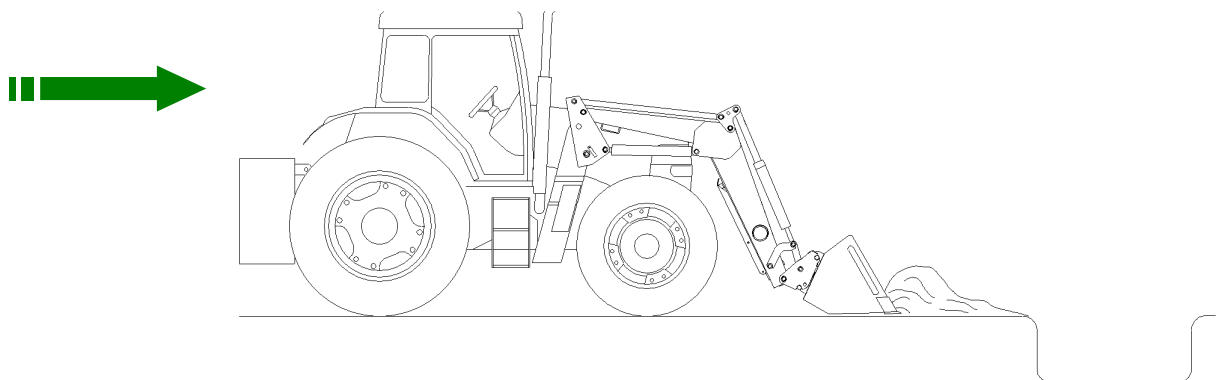
CAUTION!



Check underground utility locations before digging. To help prevent bodily injury or death, do not leave the operator's seat if any part of the loader comes into contact with cables. Back away from the cable before getting off the tractor. Call the relevant authorities.

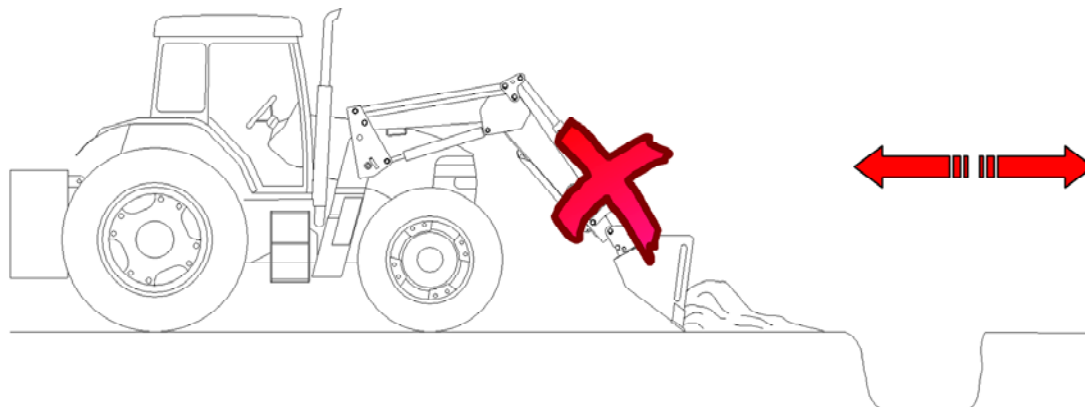
Backfilling

Approach the pile with bucket bottom level and flat on ground.



Leave any dirt in the bucket as dumping on each pass wastes time.

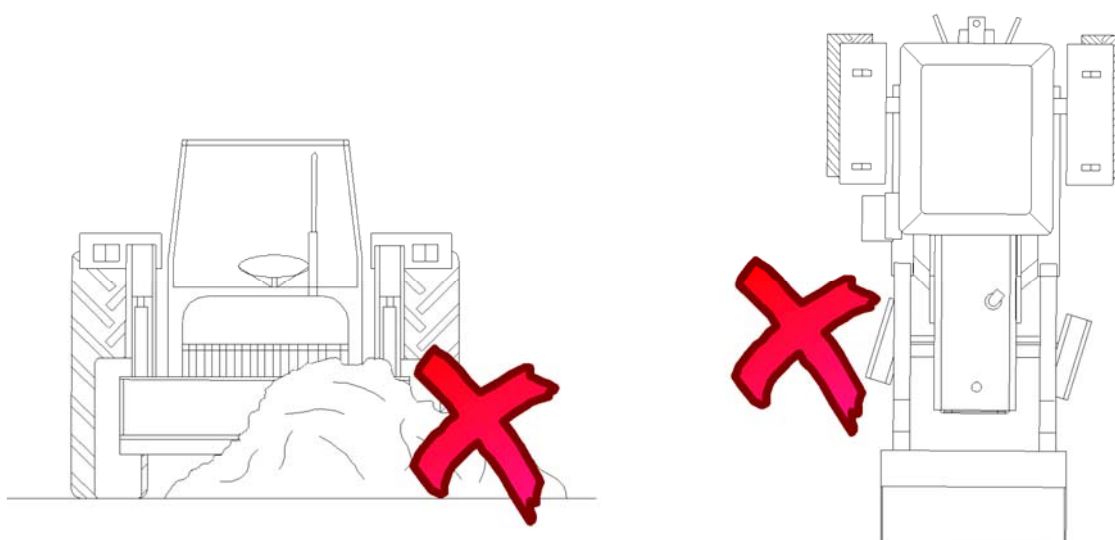
Do not use the bucket in the dump position for backfilling or back grading, as this will impose severe shock loading on the bucket cylinders, top link bars and allows excess wear to the cutting edge. Using the bucket in this position also makes it more difficult to maintain a level surface.



Incorrect Loading

Avoid side loads to the tractor, mounting kit and loader frame.
Do not drive in forwards or reverse with the front wheels turned when an attachment is touching the ground. This could result in damage to the Front End Loader.

Avoid heavy off-centre loading of the attachment.



Avoid these loading conditions when using your Front End Loader

ATTACHING AND DETACHING LOADER FRAME ARMS

Attaching and detaching a Tae-Sung Loader is a simple, quick, one-man operation using two simple latch-pins to securely lock the loader frame arms to the tractor mounting kit. The following steps are designed to assist in this operation.

Detaching Procedure

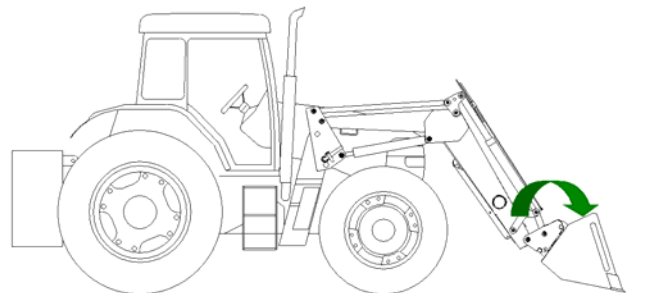


CAUTION!

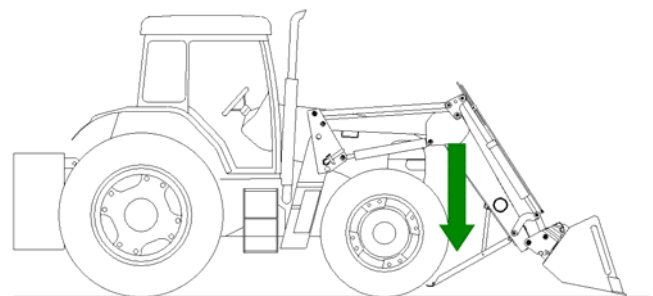
To prevent personal injury or death from falling loader, always detach on a hard, level surface. Loader must be fitted with an earthmoving bucket.

Place the tractor on a hard, level surface and ensure that a bucket is fitted to the loader. Care should always be taken to be aware of people in the area and to give adequate clearance for reversing & manoeuvring.

- STEP 1: Dump bucket approximately 15° and lower loader Frame arms so that bucket cutting edge is just above ground.

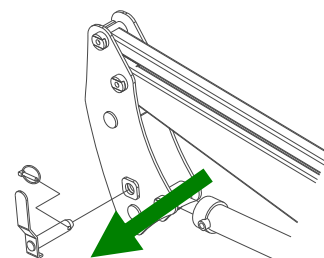


- STEP 2: Lower the frame stands by pulling them out of their mounts, remove "R" clip from inner stay raising into locking position and securing using the same "R" clip. (Ensure that both frame stands are set equal in length, once inner stays have been adjusted for your tractor future adjustment should not be required.)

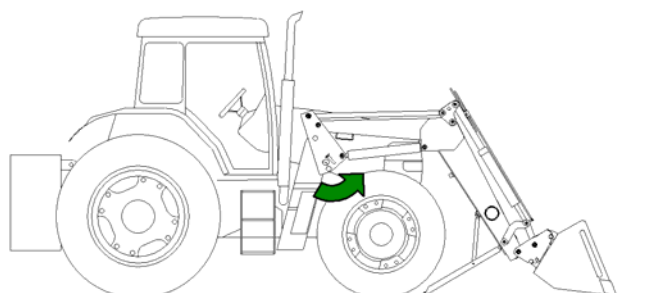


- STEP 3: Remove Ring-Pins located above Latch-Pins.

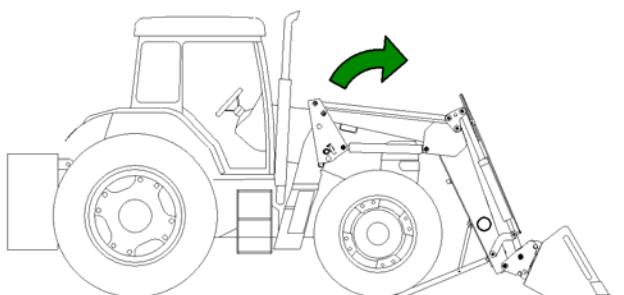
- STEP 4: Remove Latch-Pins.



STEP 5: Lower loader frame arms to ground and completely close *lift* cylinders. (This will disengage the lower locking pins of the top posts from the mounting kit).

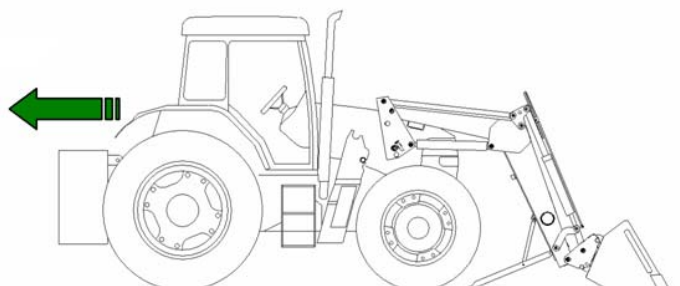


STEP 6: Slightly crowd the bucket back which will raise the back of the loader frame arms disengaging the top locking pins of the top post from the mounting kit. With loader frame arms just clear of mounting kit stop crowding bucket. Place the tractor in neutral with the park brake disengaged for this operation. (If loader frame arms don't come loose tractor may have to be carefully driven 2-3 cm forward, or check adjustment of frame stands.)



STEP 7: Turn off tractor; operate loader controls to relieve hydraulic pressure. Then disconnect hydraulic hoses and place dust caps onto quick-couplings.

STEP 8: Reverse the tractor carefully until it is completely free of the loader.



NOTE! Make sure that the hydraulic hoses don't get caught on the tractor.

Attaching Procedure

STEP 1: Carefully drive tractor between loader frame arms.

STEP 2: Reconnect hydraulic hoses ensuring that they are connected correctly by matching the dust cap colours.

STEP 3: Slightly dump bucket to lower the back of the loader frame arms until the top locking pins engage into the mounting kit. (Reverse STEP 6 *Detaching Procedure*)

STEP 4: Operate control lever in the raise direction to extend lift cylinders, as cylinders extend the lower locking pins will engage into the mounting kit and loader frame arms will raise, stop the lifting operation with the bucket approximately 1 metre off the ground.

STEP 5: Replace Latch-pins and Ring-pins.

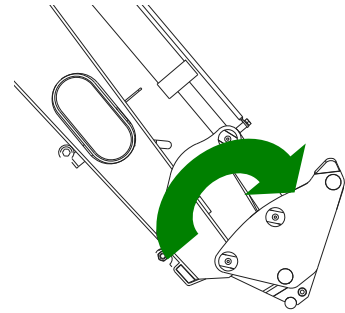
STEP 6: Fold away inner stays and raise frame stands pushing firmly into mounts.

NOTE: A small amount of grease applied to the contacting surfaces between the top posts and the mounting kit will assist attaching and detaching of loader frame arms.

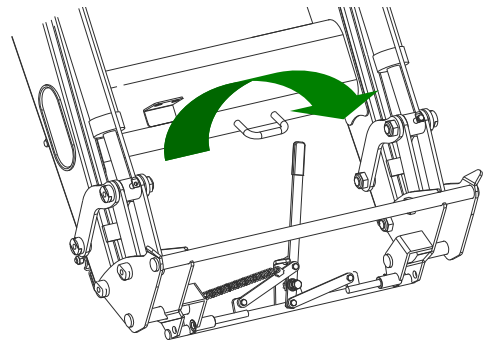
ATTACHING AND DETACHING ATTACHMENTS

Attaching Attachments

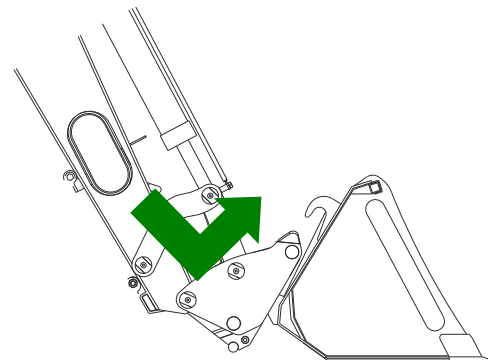
- Start the tractor and raise the loader frame arms approximately 1 metre off the ground then extend the bucket cylinders slightly inclining quick coupler forward.



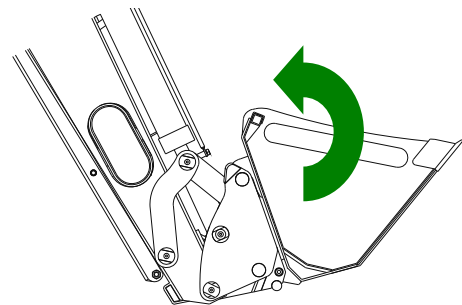
- Pull the Quick-Lock handle over past the stop block to the open pin position. (Left to right as you face the tractor)



- Move the tractor/loader forward against the attachment aligning the quick coupler beneath the attaching hooks.



- Raise loader frame arms until quick coupler fits up into attaching hooks then crowd attachment back fully. The Quick-Lock handle will then be disengaged as it hits the striking plate, automatically locking the attachment to the quick coupler.



- After the locking process is verified as being successfully completed the loader and attachment are safe for use.

Detaching Attachments

- With loader frame arms approximately 1 metre off the ground extend the bucket cylinders slightly inclining quick coupler forward. (Until front of attachment is lower than the rear).
- Pull the Quick-Lock handle over past the stop block to the open pin position. (Left to right as you face the tractor)
- Lower loader frame arms placing attachment on the ground, continue lowering frame arms until quick coupler clears attachment hooks and reverse tractor/loader away. The Quick- Lock Quick Coupler is now ready to accept another attachment.

LUBRICATION AND MAINTENANCE

CAUTION!



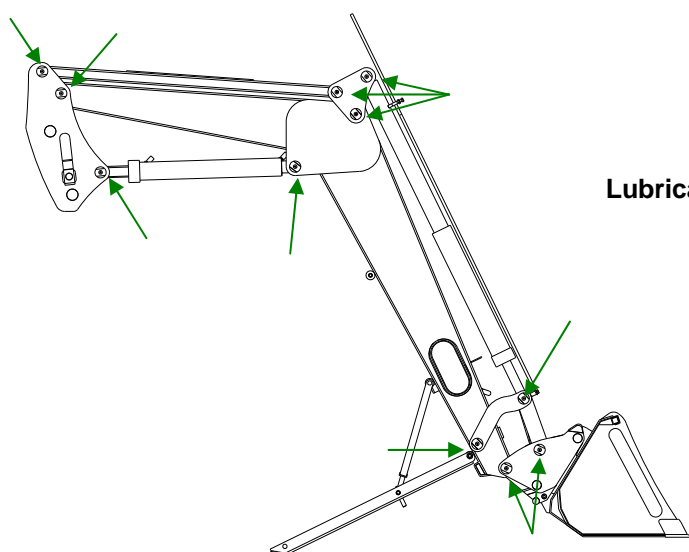
Before servicing the unit and performing maintenance stop the tractor, lower the loader to the ground, set the parking brake, disengage the Power Take Off and all power drives, shut off the tractor engine and remove the ignition key.

Lubrication

Lubrication is one of the most important aspects of service, as it increases the loader life by decreasing the friction between moving parts. Lubrication should be carried out on a daily basis or every 8 hours under normal operating conditions, and more often under extreme conditions.

Lubrication fittings (in the form of grease nipples) are located at all pivot points on the loader. These fittings are one-way valves through which a lubricant (grease) can be supplied to a bearing via the use of a grease gun.

To ensure complete lubrication of the pivot pins, lower the loader to rest the attachment on the ground, stop the engine and release the hydraulic pressure in the cylinders. Use a good grade of lubricant/grease that is suitable for general-purpose application. Remove all dirt from the lubrication point before greasing and remember to wipe off excess grease after lubricating.



Lubrication Points on a "700" Series Loader.

No. Per side =11

Total = 22

Remote Control System

Mounting of Cables and Joystick Control Lever

Before fitting cables to the joystick control lever, the cables must be fed through the floor of the tractor.

Refer to Figure 1 for reference to following installation points on fitting cables to joystick control lever.

- To connect cables to joystick control lever start by loosening the rubber boot (D) from the housing.
- Loosen the two screws (G) so as to not obstruct fitting of cables into collar. Also loosen fixed pivot post (C) by loosening lock screw (I).
- Feed ball end of cables (A & B) through housing and guide them into the seat of the yoke (E). The ball joints can be lubricated with petroleum jelly or the like.
- Draw the cables back into the housing and secure fixed pivot post (C) by tightening lock screw (I).
- Secure cables (A & B) using the screws (G) to locate and lock into locking grooves (F).
- Use the locking arm (H) to lock the joystick in the vertical neutral position. Replace rubber boot (D) onto housing.
- If the joystick control lever is to be mounted from the side, or the housing needs to be rotated 90° CCW, then spacer (J) needs to be moved and cut shorter to suit. Ensure to adjust joystick handle orientation to suit changes.

NOTE: It is important that the joystick control lever housing is mounted with the fixed pivot post (C) placed in the right rear corner (as shown in Figure 1 Option 1) with locking arm (H) at the back of the housing, or, if the joystick control lever housing must be mounted from the side (or rotated 90° CCW) the fixed pivot post (C) must be placed in the left rear corner (or locking arm (H) to the left hand side of the housing Option 2). This will ensure that the float function of the directional control valve can only be actuated when moving the joystick in the fully forward position.

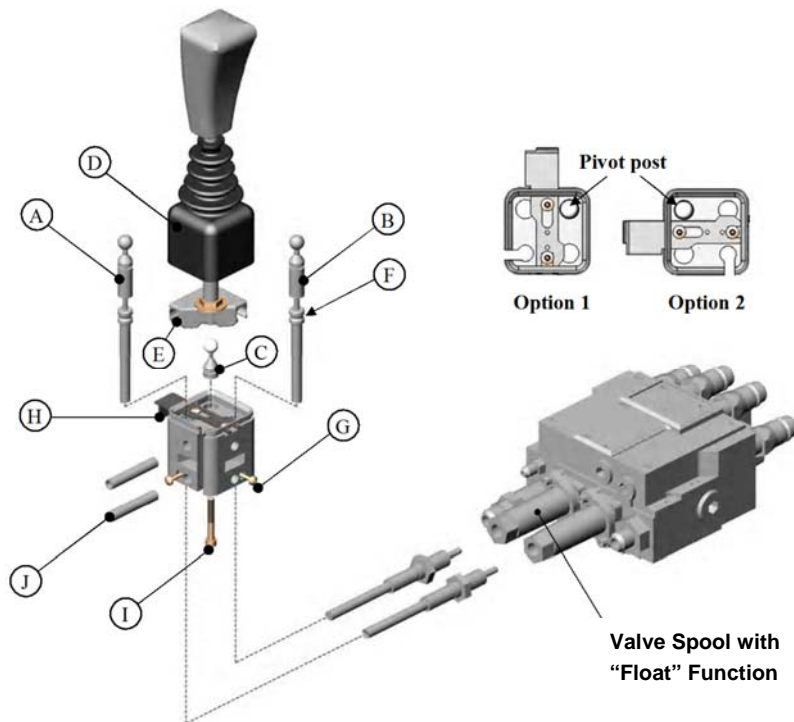


Figure 1 Cable Mounting to Joystick Control Lever

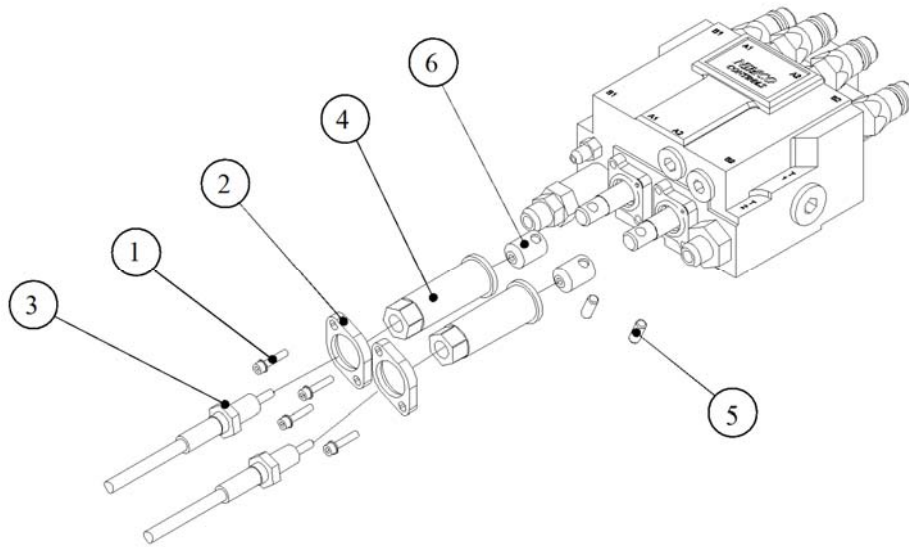


Figure 2 Cable Mounting to Directional Control Valve

Mounting of Cables to Directional Control Valve

Refer to **Figure 2** for reference to following installation points on fitting cables to directional control valve.

- With the directional control valve already fixed to the mounting kit, remove the socket head cap screws (1) along with the sleeve retainer (2) and sleeve (4).
- Remove cable-connecting cup (6) from end of cable and feed sleeve retainer over end of cable. Then screw lock nut (3) and sleeve (4) onto cable end until they can be slid over cable. Refit cable connecting cup (6) to end of cable.
- Slide cable-connecting cup (6) over spool end and secure with pin (5). To ensure correct lever movement connect the control cable on the left of the housing (A) to the lift/lower/float function spool of the valve.
- Screw sleeve (4) onto cable end and tighten by hand until the slack has been taken up, slide sleeve retainer (2) into position and tighten socket head cap screws (1). Slide lock nut (3) onto cable end and tighten.
- Release locking arm (H) and check that the joystick control lever always returns to the neutral position, except when lever is moved completely forward into the float position, the joystick should remain locked in this position until intentionally pulled back to neutral.

Final Fitting and Operational Checks

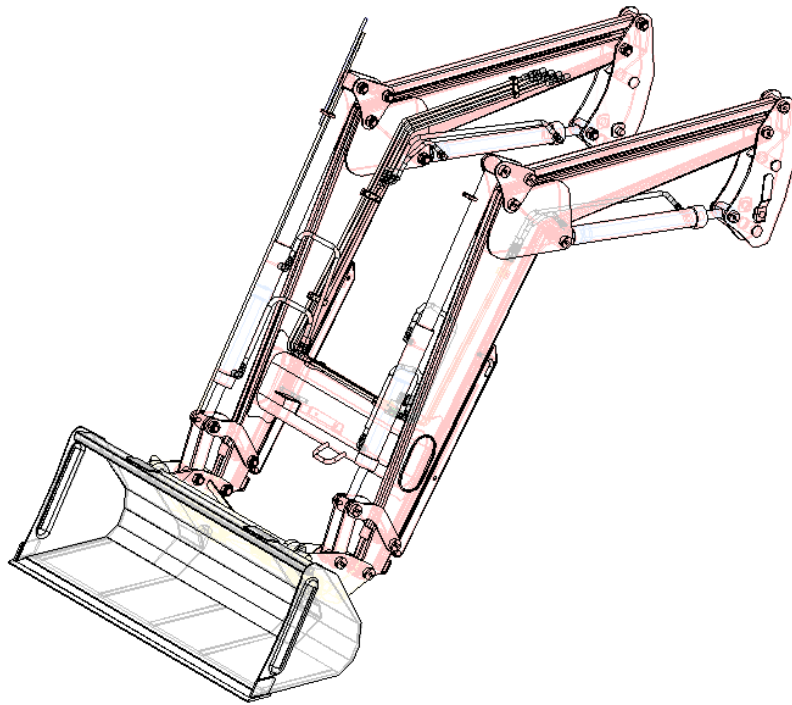
With all the components of the Front End Loader installed carry out the following steps to ensure correct fitment and operation has been achieved.

- Start tractor and ensure that all loader movements correspond to the intended control lever action.
- When fitted to tractor remote valves remote levers are moved forward to lower frame arms or dump bucket, float function only available on frame arm lowering circuit, when pulled backwards loader frame arms raise or crowds bucket.
- When fitted with directional control valve the loader frame arms will lower when joystick is moved forward, pushing joystick fully forward the frame arms will be in float, moving joystick back will raise frame arms, moving joystick to the right will dump bucket and moving joystick to the left will crowd the bucket.

TAE SUNG

KL1595

Front End Loader



Parts Catalogue

CONTENTS

I . FRONT LOADER

1. PART ILLUSTRATIONS

PART ILLUSTRATIONS	-----	1010
--------------------	-------	------

2. MAIN FRAME ASSEMBLY

Manual	-----	2010
--------	-------	------

Self Leveling Device	-----	2110
----------------------	-------	------

3. HYDRAULIC SYSTEM

Manual Type	-----	3010
-------------	-------	------

Self Leveling Type	-----	3110
--------------------	-------	------

4. QUICK ATTACHMENT

Euro Type	-----	4010
-----------	-------	------

5. BUCKET

Earth Bucket	-----	5010
--------------	-------	------

Earth Bucket-Quick Atta.	-----	5110
--------------------------	-------	------

9. CYLINDER

Boom Cylinder	-----	6010
---------------	-------	------

Bucket Cylinder-Manual	-----	6110
------------------------	-------	------

Bucket Cylinder-Self Leveling	-----	6210
-------------------------------	-------	------

Bucket Cylinder-Self Leveling	-----	6310
-------------------------------	-------	------

Bucket Cylinder-Self Leveling	-----	6410
-------------------------------	-------	------

II . CONNECTING OF MOUNTING FRAME AND HYD. CONTROL ASSEMBLY

1. Mounting Frame Ass'y	-----	9010
-------------------------	-------	------

2. Hydraulic System (One lever Type)	-----	9110
--------------------------------------	-------	------

3. Hydraulic System (Remote Type)	-----	9210
-----------------------------------	-------	------

4. Hydraulic System (Walvoil Type)	-----	9310
------------------------------------	-------	------

PART ILLUSTRATIONS

GENERAL INFORMATION

Illustrations

The individual parts in their normal relationship to each other. Reference numbers are used in the illustrations. These numbers correspond to those in the "Number" column and are followed by the quantity required and description.

Directional Reference

"Right hand" and "left hand" sides are determined by standing at the rear of the unit and facing in the direction of forward travel.

Parts Order

Orders must give the complete description, correct part number, the total amount required, the product model, all the necessary serial numbers, the method of shipment and the shipping address.

Instructions

1. GROUP NAME

: Detail classification name for parts.

2. SECTION NAME

: Classification name for parts.

3. COMPONENTS



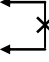
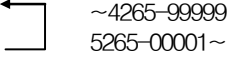
: The components of an assembly are identified by a bracket.

4. NO.

: Reference numbers are assigned to parts in the figure.

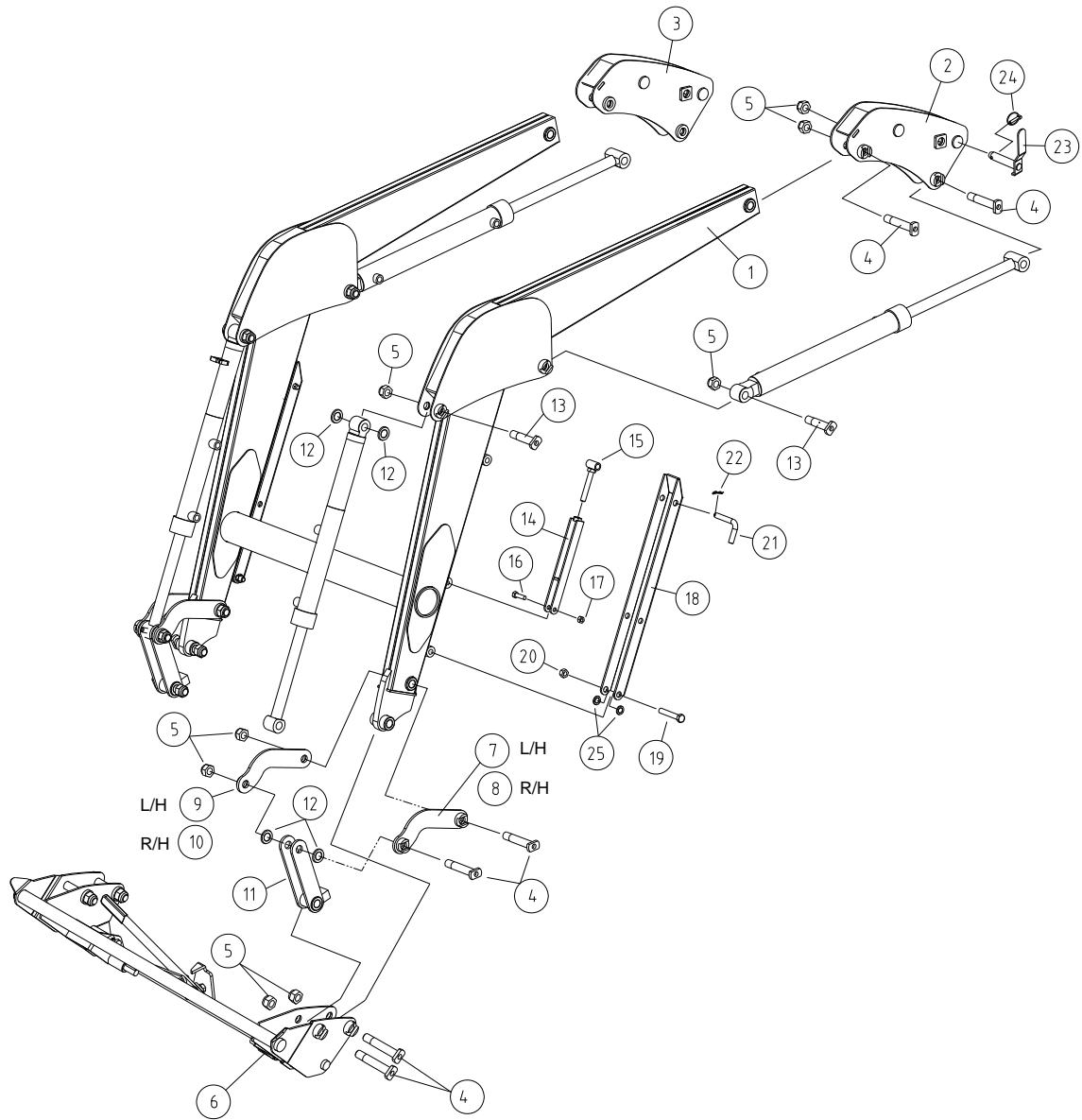
INTERCHANGEABILITY

: Indicates the interchangeability of parts due to design change

	<p>Indicates that a new part can be used instead of an old part when you order this part, please order new part.</p>
	<p>indicates that either parts can be used.</p>
	<p>indicates that either parts can not be used.</p>
	<p>indicates that a part has a serial number break. When you order this part, please order a part according to the serial number of the Loader.</p>

★ Due to our policy of continuously improving products, The information contained herein is subject to change without notice.

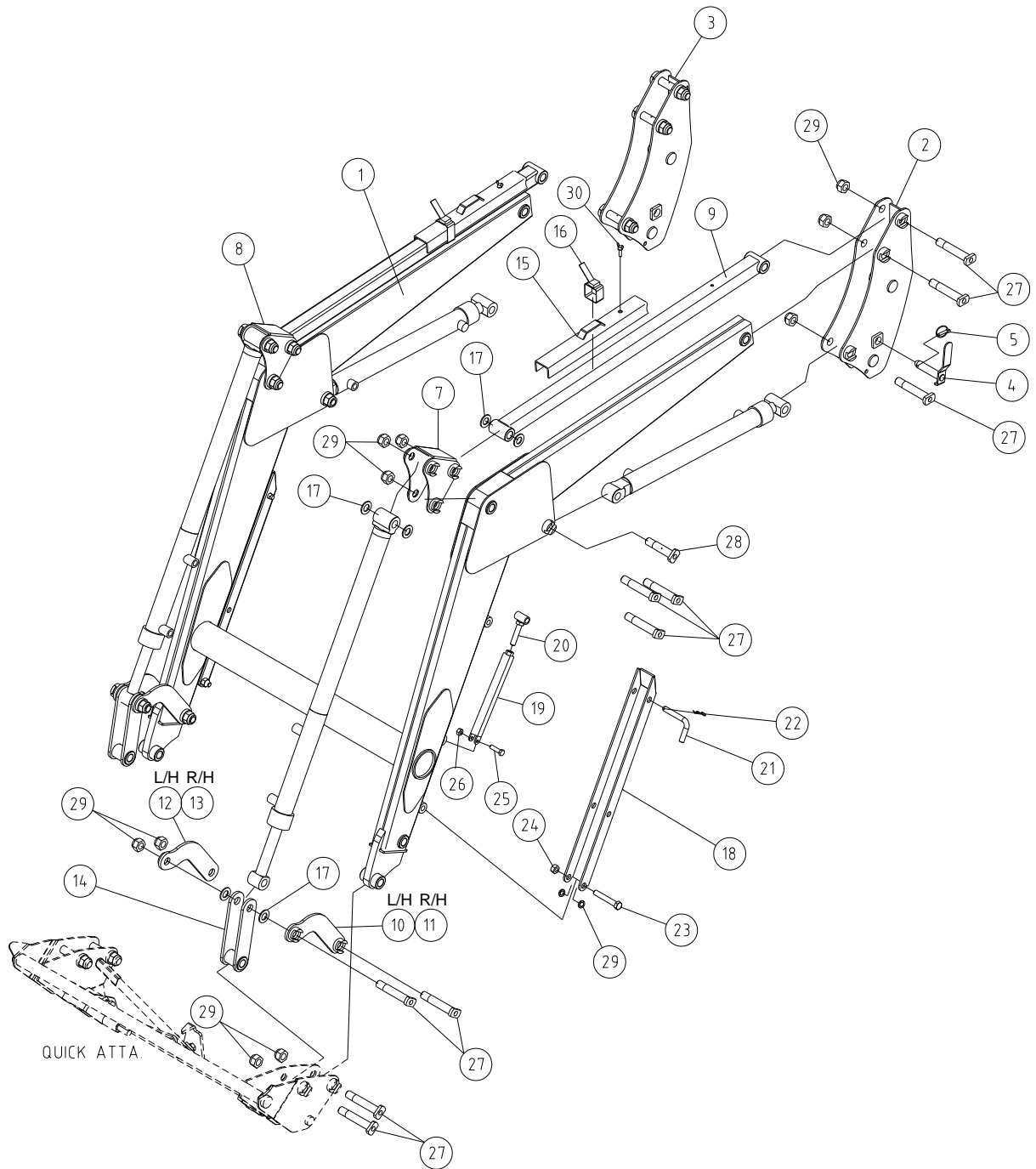
MAIN FRAME ASSEMBLY (Manual)



MAIN FRAME ASSEMBLY (Manual)

REF.NO	PART.NO	DESCRIPTION	QTY	I.C	REMARK
1	KLD55-15100	BOOM W.A	1	←	
1	LTS21-15100-01	BOOM W.A	1	—	06.02.27~
1	LTS21-15100-02	BOOM W.A	1	—	08.06.18~
2	KLD55-35100	TOP POST W.A-LH	1	←	
2	LTS19-35100-02	TOP POST W.A-LH	1	←	
3	KLD55-35200	TOP POST W.A-RH	1	←	
3	LTS19-35200-02	TOP POST W.A-RH	1	←	
4	LTS19-71211	PIN	12	←	
4	14124-25130-N	PIN	12	—	
5	LTS19-71213	NUT, LOCK	16		
6	LTS21-42000	QUICK ATTA. ASS'Y	1	←	WRONG NO.
6	LTS19-44000	QUICK ATTA. ASS'Y	1	—	
7	LTS19-51310	LINK W.A-BUCKET	1		
8	LTS19-51320	LINK W.A-BUCKET	1		
9	LTS19-51330	LINK W.A-BUCKET	1		
10	LTS19-51340	LINK W.A-BUCKET	1		
11	LTS19-52400	LINK W.A	2		
12	S4011-50250	WASHER-PLAIN, Φ24	8	←	OLD NO.
12	10321-M2400	WASHER-PLAIN, Φ24	8	—	
13	LTS19-71212	PIN	4	←	
13	14124-25110-N	PIN	4	—	
14	LTS19-61120	STAND W.A	2	←	
14	LTS19-61120-01	STAND W.A	2	—	
15	LTS21-61130	BOLT W.A	2		
16	S1056-51245	HEX.BOLT, M12-1.75P 45L	2	←	OLD NO.
16	10191-M1205-45	HEX.BOLT, M12-1.75P 45L	2	—	
17	1002-1263	NUT-SELFLOCK, M12-1.75P	2	←	OLD NO.
17	1021N-M1205	NUT-SELFLOCK, M12-1.75P	2	—	
18	LTS19-61111	STAND	2	←	
18	LTS19-61111-01	STAND	2	—	05.04.12~
19	S1056-51690	HEX.BOLT, M16-2.0P 90L	2	←	OLD NO.
19	10191-M1606-90	HEX.BOLT, M16-2.0P 90L	2	—	
20	1002-1673	NUT-SELFLOCK, M16-2.0P	2	←	OLD NO.
20	1021N-M1606	NUT-SELFLOCK, M16-2.0P	2	—	

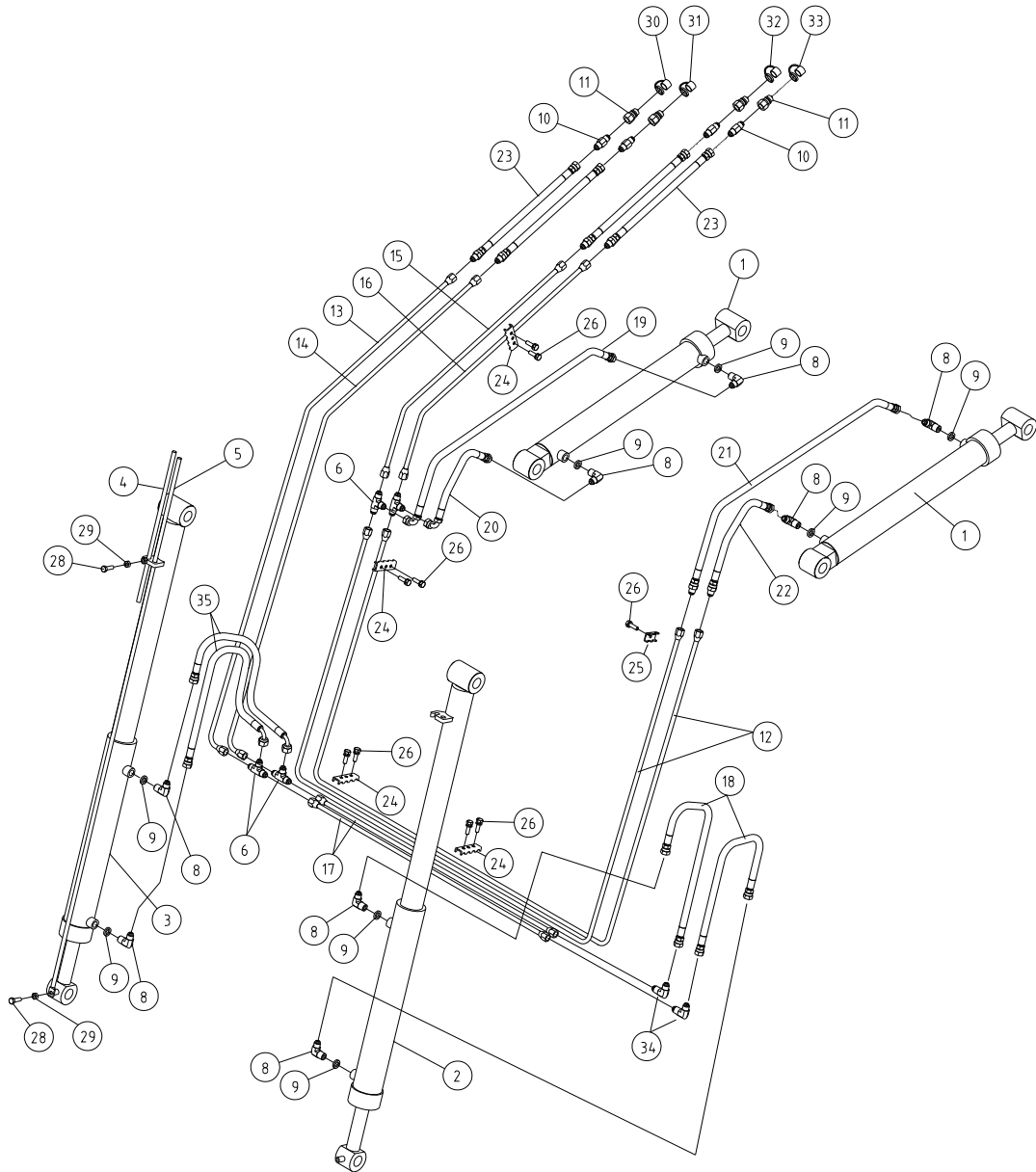
MAIN FRAME ASSEMBLY (Self Leveling Device)



MAIN FRAME ASSEMBLY (Self Leveling Device)

REF.NO	PART.NO	DESCRIPTION	QTY	I.C	REMARK
1	KLD55-12100	BOOM W.A	1	←	
1	LTS21-12100-01	BOOM W.A	1	—	06.02.27~
1	LTS21-12100-02	BOOM W.A	1	—	08.06.18~
1	LTS21-12100-02	BOOM W.A	1	—	09.06.30~
2	KLD55-31100	TOP POST W.A-LH	1	←	
2	LTS19-31100-02	TOP POST W.A-LH	1	—	
3	KLD55-31200	TOP POST W.A-RH	1	←	
3	LTS19-31200-02	TOP POST W.A-RH	1	—	
4	LTS19-31500	PIN W.A	2	←	
4	14133-25113-N	PIN W.A	2	—	08.12.04~
5	1008-1001	RING PIN, Φ10	2	←	OLD NO.
5	14021-10000	RING PIN, Φ10	2	—	
7	LTS19-51110	LINK W.A-LH	1		
8	LTS19-51120	LINK W.A-RH	1		
9	LTS21-51210	LINK W.A-LEVEL	2		
10	LTS19-51310	LINK W.A-BUCKET	1		
11	LTS19-51320	LINK W.A-BUCKET	1		
12	LTS19-51330	LINK W.A-BUCKET	1		
13	LTS19-51340	LINK W.A-BUCKET	1		
14	LTS19-51400	LINK W.A	2		
15	LTS21-51510	SAFTY BAR W.A	1	←	
15	LTM45-21600-01	SAFTY BAR W.A	1	—	09.07.20~
16	LTL26-51513	STRAP-LOCK	1		
17	S4011-50250	WASHER-PLAIN, Φ24	12	←	OLD NO.
17	10321-M2400	WASHER-PLAIN, Φ24	12	—	
18	LTS19-61111	STAND	2	←	
18	LTS19-61111-01	STAND	2	—	05.04.12~
19	LTS19-61120	STAND BAR W.A	2	←	
19	LTS19-61120-01	STAND BAR W.A	2	—	09.07.20~
20	LTS21-61130	BOLT W.A	2		
21	LTL26-61201	PIN-HAND	2		
22	S5515-51600	R-PIN, Φ3	2	←	OLD NO.
22	14011-03000	R-PIN, Φ3	2	—	

HYDRAULIC PIPING (Manual)



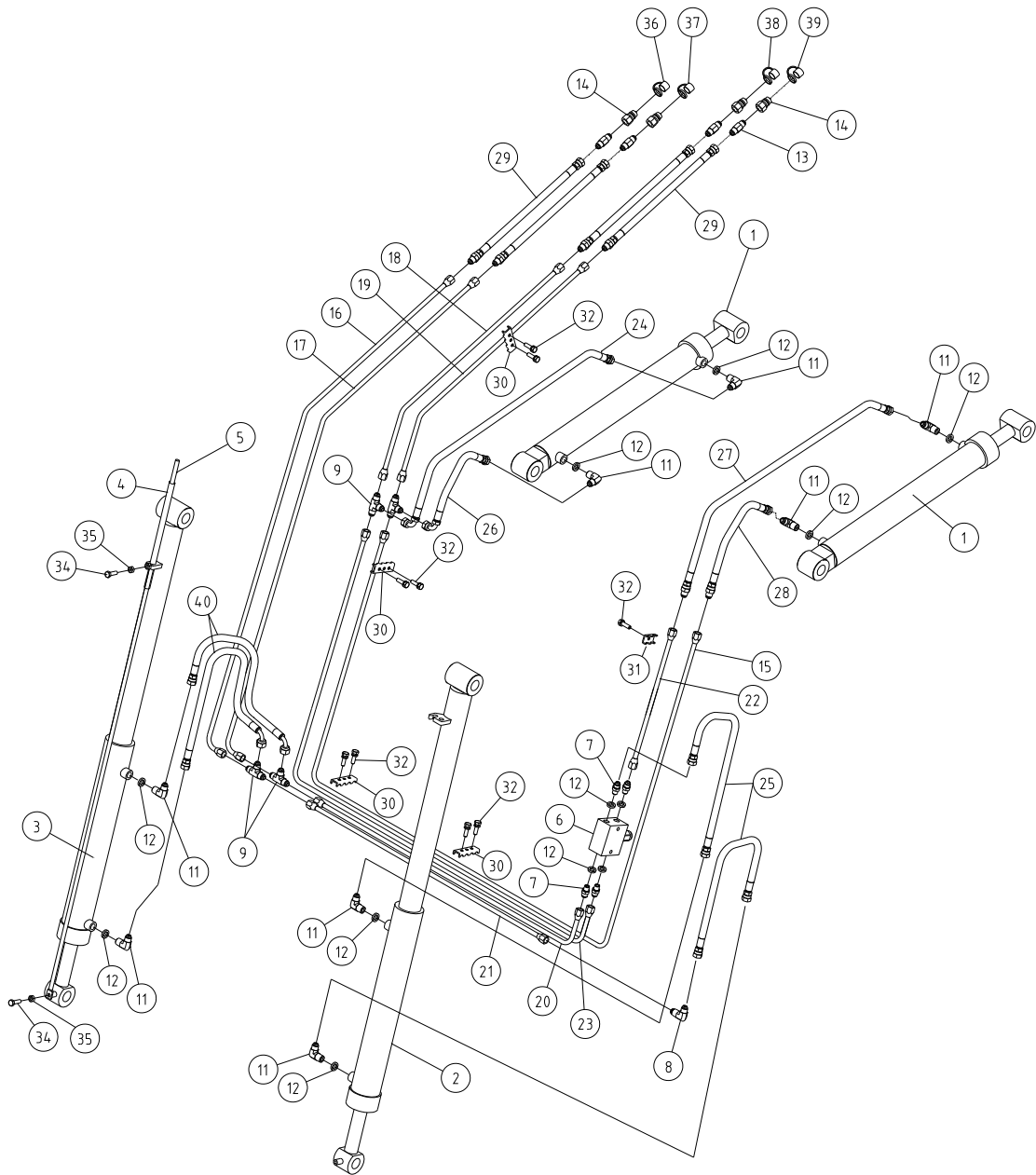
HYDRAULIC PIPING (Manual)

REF.NO	PART.NO	DESCRIPTION	QTY	I.C	REMARK
1	KLD55-82110	CYLINDER ASS' Y, BOOM	2	←	OLD NO.
1	225303	CYLINDER ASS' Y, BOOM	2	—	
2	KLD55-83130	CYLINDER ASS' Y, BUCKET-LH	1	←	OLD NO.
2	224803	CYLINDER ASS' Y, BUCKET-LH	1	—	
2	226201	CYLINDER ASS' Y, BUCKET-LH	1	—	09.03.03~
3	KLD55-83120	CYLINDER ASS' Y, BUCKET-RH	1	←	OLD NO.
3	224804	CYLINDER ASS' Y, BUCKET-RH	1	—	
3	226202	CYLINDER ASS' Y, BUCKET-RH	1	—	09.03.03~
4	LTS26-81201	BAR, GAUGE-SHORT	1		
5	LTS21-83202	BAR, GAUGE-LONG	1		
6	6003-0805	NIPPLE	4	←	OLD NO.
6	802T2-F94F9-40	NIPPLE, 3/4-16UNF T-TYPE	4	—	
8	6007-1823	NIPPLE	8	←	OLD NO.
8	802L2-P46F9-42	NIPPLE, PF3/8, O-Ringx3/4-16UNF 90 °	8	—	
9	S4810-0P140	O-RING	8	←	OLD NO.
9	81301-BP014	O-RING, 1BP14	8	—	
10	6004-0117	NIPPLE	4	←	OLD NO.
10	802N2-T46F9-40	NIPPLE, PT3/8x3/4-16UNF, HOSE	4	—	
11	0001-1006	QUICK COUPLER	4	←	OLD NO.
11	80410-T3360	QUICK COUPLER, PT3/8	4	—	
12	LTS21-83510	PIPE ASS'Y	2		
13	LTS21-83520	PIPE ASS'Y	1		
14	LTS21-83530	PIPE ASS'Y	1		
15	LTS21-83540	PIPE ASS'Y	1		
16	LTS21-83550	PIPE ASS'Y	1		
17	LTS21-83560	PIPE ASS'Y	2		
18	LTS21-81630	HOSE ASS'Y	2	←	
18	80620-01024	HOSE ASS'Y, 4(3/4-16UNF)-4(3/4-16UNF) 700L(3/8)	2	—	
19	LTS21-81610	HOSE ASS'Y	1	←	
19	80620-05036	HOSE ASS'Y, 904(3/4-16UNF)-4(3/4-16UNF) 1000L(3/8)	1	—	
20	LTS21-81620	HOSE ASS'Y	1	←	
20	80620-05062	HOSE ASS'Y , 904(3/4-16UNF)-4(3/4-16UNF) 400L(3/8)	1	—	

HYDRAULIC PIPING (Manual)

REF.NO	PART.NO	DESCRIPTION	QTY	I.C	REMARK
21	LTS21-81640	HOSE ASS'Y	1	←	
21	80620-03007	HOSE ASS'Y, 4(3/4-16UNF)-2(3/4-16UNF) 1000L(3/8)	1	—	
22	LTS21-81650	HOSE ASS'Y	1	←	
22	80620-03006	HOSE ASS'Y , 4(3/4-16UNF)-2(3/4-16UNF) 400L(3/8)	1	—	
23	LTS21-81660	HOSE ASS'Y	4	←	
23	80620-03002	HOSE ASS'Y, 4(3/4-16UNF)-2(3/4-16UNF) 1900L(3/8)	4	—	
24	LTL26-81801	CLAMP	4		
25	LTL26-81802	CLAMP	1		
26	S1053-50835	BOLT-HEX	9	←	
26	1012S-M0803-35	BOLT-Sem's, M8-1.25P 35L	9	—	
27					
28	S1053-51035	BOLT-HEX	2	←	
28	10121-M1004-30	HEX.BOLT, M10-1.5P 30L	2	—	
29	S4013-50100	WASHER-SPRING	1	←	
29	10211-M1004	HEX.NUT, M10-1.5P	2	—	
30	SL045-48021	DUST CAP-RED FEMALE(3/8)	1	←	OLD NO.
30	8044R-03300	DUST CAP-RED FEMALE(3/8)	1	—	
31	LTS21-81901	DUST CAP-BLUE FEMALE(3/8)	1	←	OLD NO.
31	8044B-03300	DUST CAP-BLUE FEMALE(3/8)	1	—	
32	LTS21-81902	DUST CAP-YELLOW FEMALE(3/8)	1	←	OLD NO.
32	8044Y-03300	DUST CAP-YELLOW FEMALE(3/8)	1	—	
33	0001-1003	DUST CAP-BLACK FEMALE(3/8)	1	←	OLD NO.
33	8044K-03300	DUST CAP-BLACK FEMALE(3/8)	1	—	
34	6004-0115	NIPPLE	2	←	OLD NO.
34	802L2-F94F9-40	NIPPLE, 3/4-16UNF, HOSEx3/4-16UNF, HOSE 90 °	2	—	
35	LTS21-81620	HOSE ASS'Y	2	←	
35	80620-12006	HOSE ASS'Y, 454(3/4-16UNF)-4(3/4-16UNF) 700L(3/8)	2	—	

HYDRAULIC PIPING (Self Leveling Device)



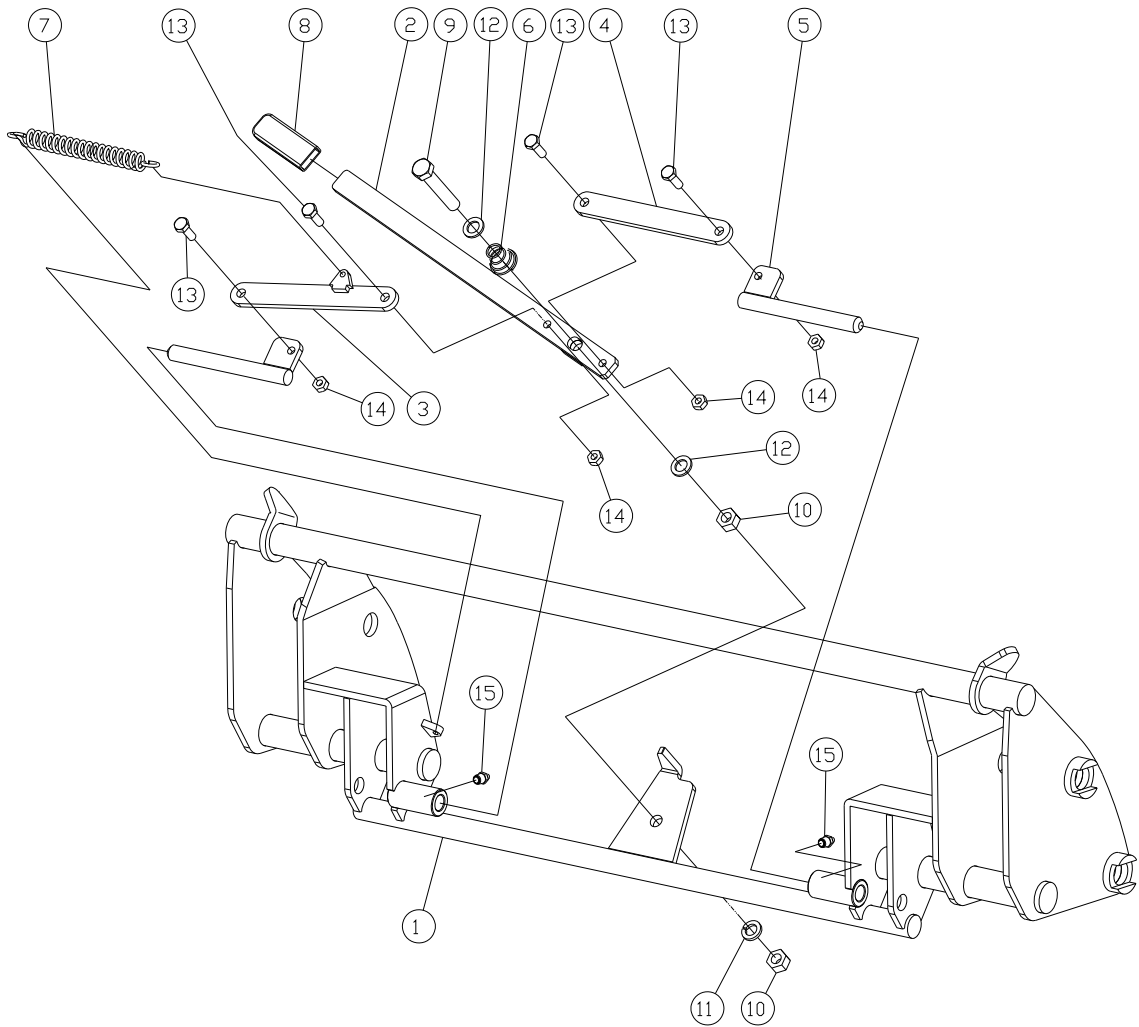
HYDRAULIC PIPING (Self Leveling Device)

REF.NO	PART.NO	DESCRIPTION	QTY	I.C	REMARK
1	KLD55-82110	CYLINDER ASS' Y, BOOM	2	←	
1	225303	CYLINDER ASS' Y, BOOM	2	—	08.05.06~
2	KLD55-82120	CYLINDER ASS' Y, BUCKET-LH	1	←	
2	224806	CYLINDER ASS' Y, BUCKET-LH	1	—	08.05.06~
2	226201	CYLINDER ASS' Y, BUCKET-LH	1	—	09.03.03~
3	KLD55-82130	CYLINDER ASS' Y, BUCKET-RH	1	←	
3	224807	CYLINDER ASS' Y, BUCKET-RH	1	—	08.05.06~
3	226202	CYLINDER ASS' Y, BUCKET-RH	1	—	09.03.03~
4	LTL26-81201	BAR, GAUGE-SHOT	1	←	
4	14712-50011	BAR, GAUGE-SHOT	1	—	81216004~
5	LTS21-81202	BAR, GAUGE-LONG	1	←	
5	LTM45-21702	BAR, GAUGE-LONG, Φ 12x1300L	1	—	81216004~
6	LTS21-81301	VALVE, RELIFE	1		
7	6004-0105	NIPPLE	4	←	OLD NO.
7	802N2-P46F9-42	NIPPLE, PF3/8, O-RINGx3/4-16UNF, HOSE	4	—	
8	6004-0115	NIPPLE	1	←	OLD NO.
8	802L2-F94F9-40	NIPPLE, 3/4-16UNF, HOSEx3/4-16UNF, HOSE 90 °	1	—	
9	6003-0805	NIPPLE	4	←	OLD NO.
9	802T2-F94F9-40	NIPPLE, 3/4-16UNF T-TYPE	4	—	
10					
11	6007-1823	NIPPLE	8	←	OLD NO.
11	802L2-P46F9-42	NIPPLE, PF3/8, O-Ringx3/4-16UNF 90 °	8	—	
12	S4810-0P140	O-RING	12	←	OLD NO.
12	81301-BP014	O-RING, 1BP14	12	—	
13	6004-0117	NIPPLE	4	←	OLD NO.
13	802N2-T46F9-40	NIPPLE, PT3/8x3/4-16UNF, HOSE	4	—	
14	0001-1006	QUICK COUPLER	4	←	WRONG NO. (->0001-1002)
14	80410-T3360	QUICK COUPLER, PT3/8	4	—	
15	LTS21-81510	PIPE ASS'Y	2		
16	LTS21-81520	PIPE ASS'Y	1		
17	LTS21-81530	PIPE ASS'Y	1		
18	LTS21-81540	PIPE ASS'Y	1		
19	LTS21-81550	PIPE ASS'Y	1		

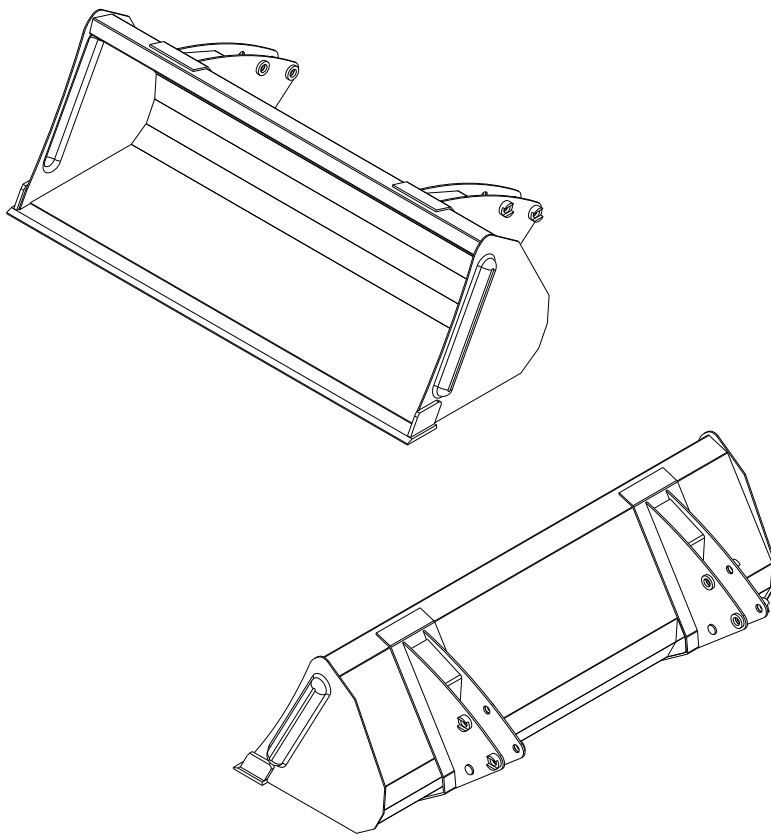
HYDRAULIC PIPING (Self Leveling Device)

REF.NO	PART.NO	DESCRIPTION	QTY	I.C	REMARK
20	LTS21-81560	PIPE ASS'Y	1		
21	LTS21-81570	PIPE ASS'Y	1		
22	LTS21-81580	PIPE ASS'Y	1		
23	LTS21-81590	PIPE ASS'Y	1		
24	LTS21-81610	HOSE ASS'Y	1	←	
24	80620-05036	HOSE ASS'Y, 904(3/4-16UNF)-4(3/4-16UNF) 1000L(3/8)	1	—	
25	LTS21-81620	HOSE ASS'Y	2	←	
25	80620-01024	HOSE ASS'Y, 4(3/4-16UNF)-4(3/4-16UNF) 700L(3/8)	2	—	
26	LTS21-81630	HOSE ASS'Y	1	←	
26	80620-05062	HOSE ASS'Y, 904(3/4-16UNF)-4(3/4-16UNF) 400L(3/8)	1	—	
27	LTS21-81640	HOSE ASS'Y	1	←	
27	80620-03007	HOSE ASS'Y, 4(3/4-16UNF)-2(3/4-16UNF) 1000L(3/8)	1	—	
28	LTS21-81650	HOSE ASS'Y	1	←	
28	80620-03006	HOSE ASS'Y, 4(3/4-16UNF)-2(3/4-16UNF) 400L(3/8)	1	—	
29	LTS21-81660	HOSE ASS'Y	4	←	
29	80620-03002	HOSE ASS'Y, 4(3/4-16UNF)-2(3/4-16UNF) 1900L(3/8)	4	—	
30	LTL26-81801	CLAMP	4		
31	LTL26-81802	CLAMP	1		
32	S1053-50835	HEX.BOLT	11	←	
32	1012S-M0803-35	BOLT-Sem's, M8-1.25P 35L	11	—	
33					
34	S1053-51035	HEX.BOLT	2	←	
34	10121-M1004-30	HEX.BOLT, M10-1.5P 30L	2	—	
35	S4013-50100	WASHER-SPRING	1	←	
35	10211-M1004	HEX.NUT, M10-1.5P	2	—	
36	SL045-48021	DUST CAP-RED FEMALE(3/8)	1	←	OLD NO.
36	8044R-03300	DUST CAP-RED FEMALE(3/8)	1	—	
37	LTS21-81901	DUST CAP-BLUE FEMALE(3/8)	1	←	OLD NO.
37	8044B-03300	DUST CAP-BLUE FEMALE(3/8)	1	—	
38	LTS21-81902	DUST CAP-YELLOW FEMALE(3/8)	1	←	OLD NO.
38	8044Y-03300	DUST CAP-YELLOW FEMALE(3/8)	1	—	

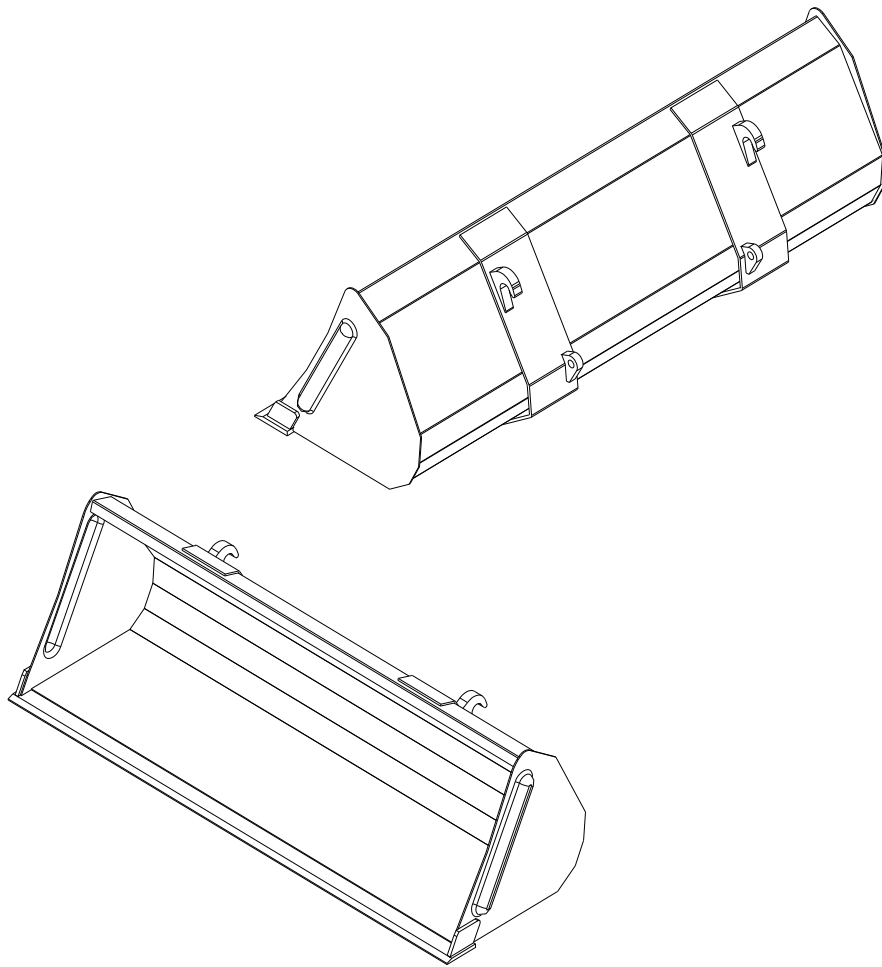
QUICK ATTACHMENT



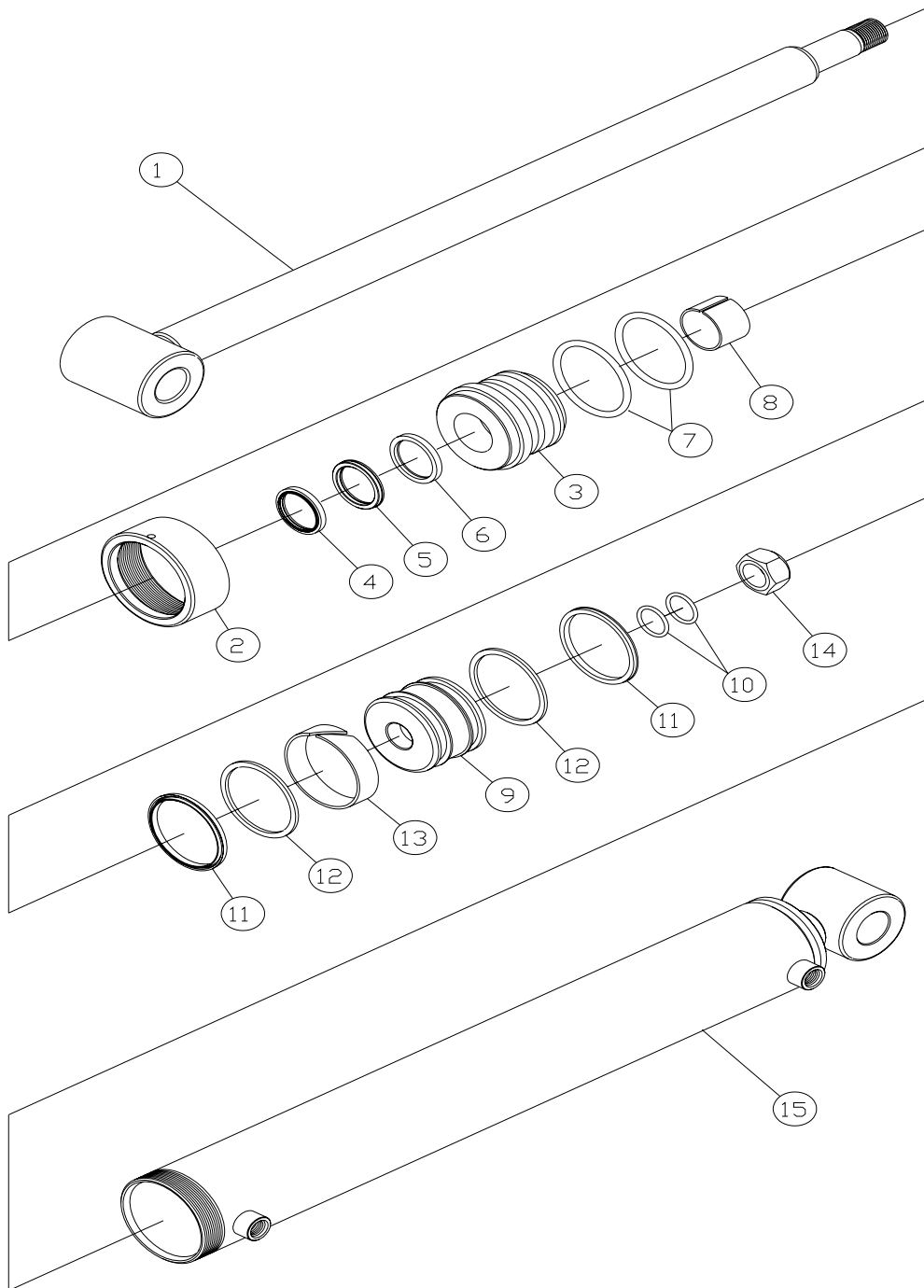
BUCKET (EARTH BUCKET)



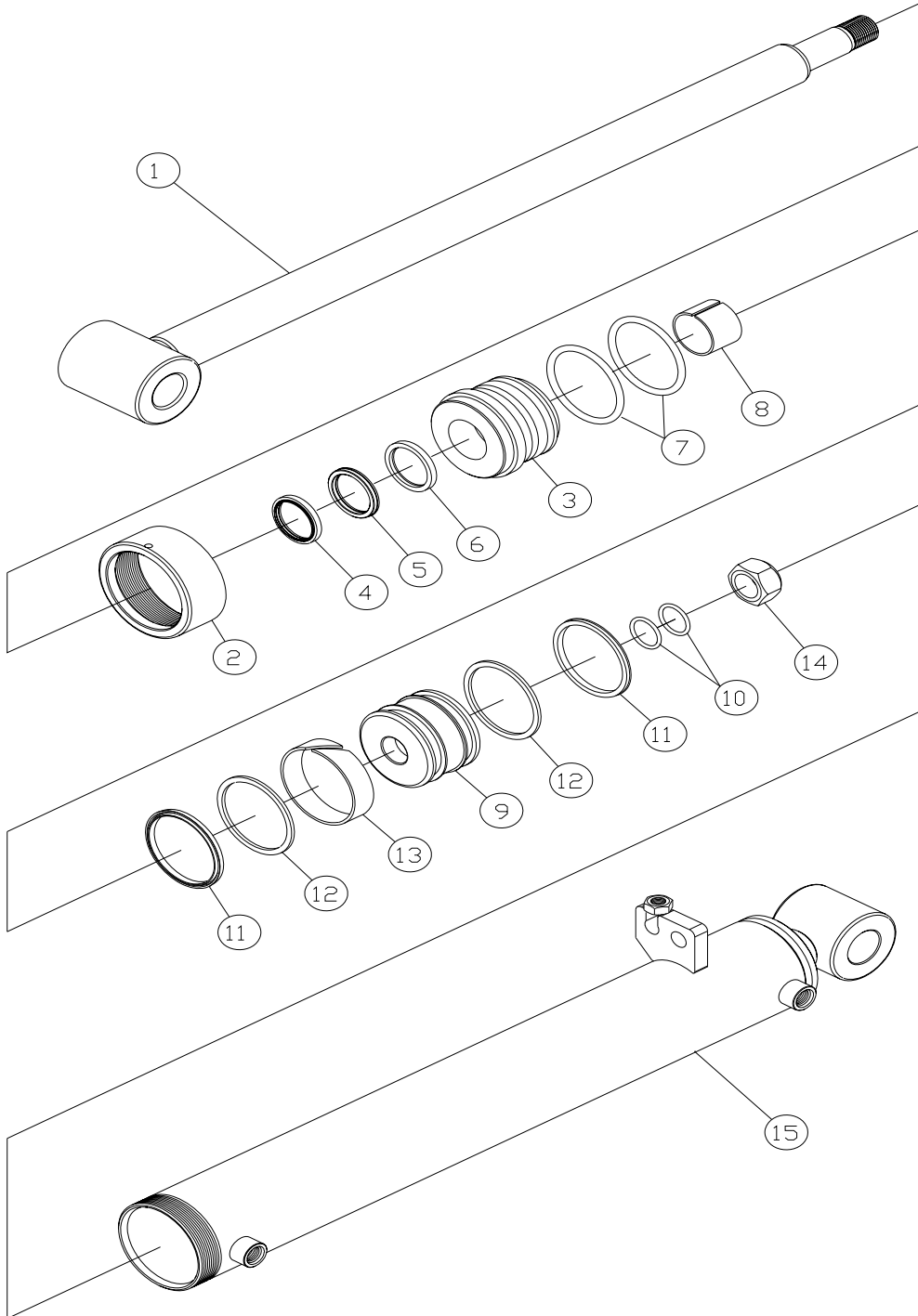
BUCKET (EARTH BUCKET-QUICK ATTA.)



BOOM CYLINDER



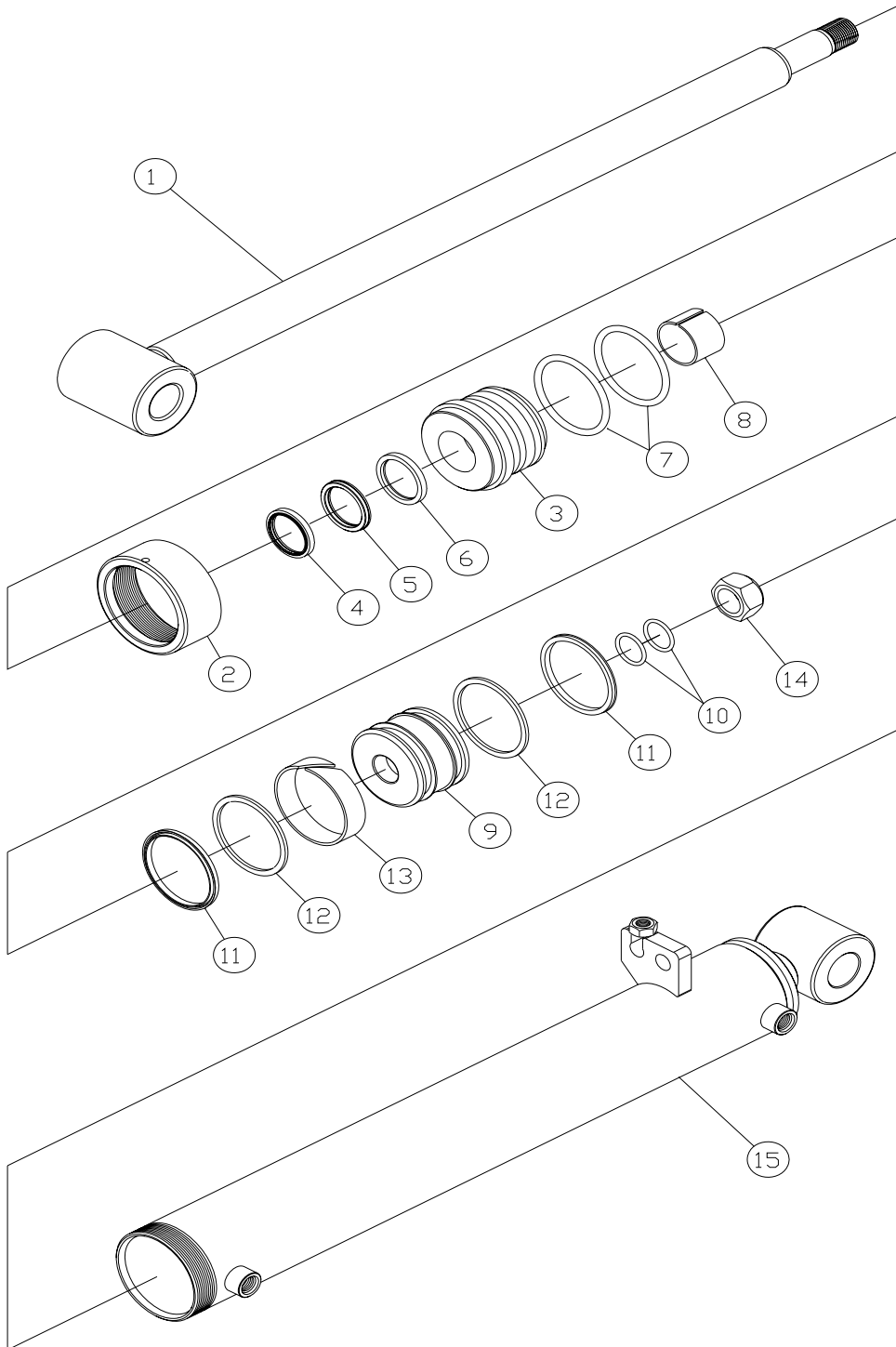
BUCKET CYLINDER (Manual)



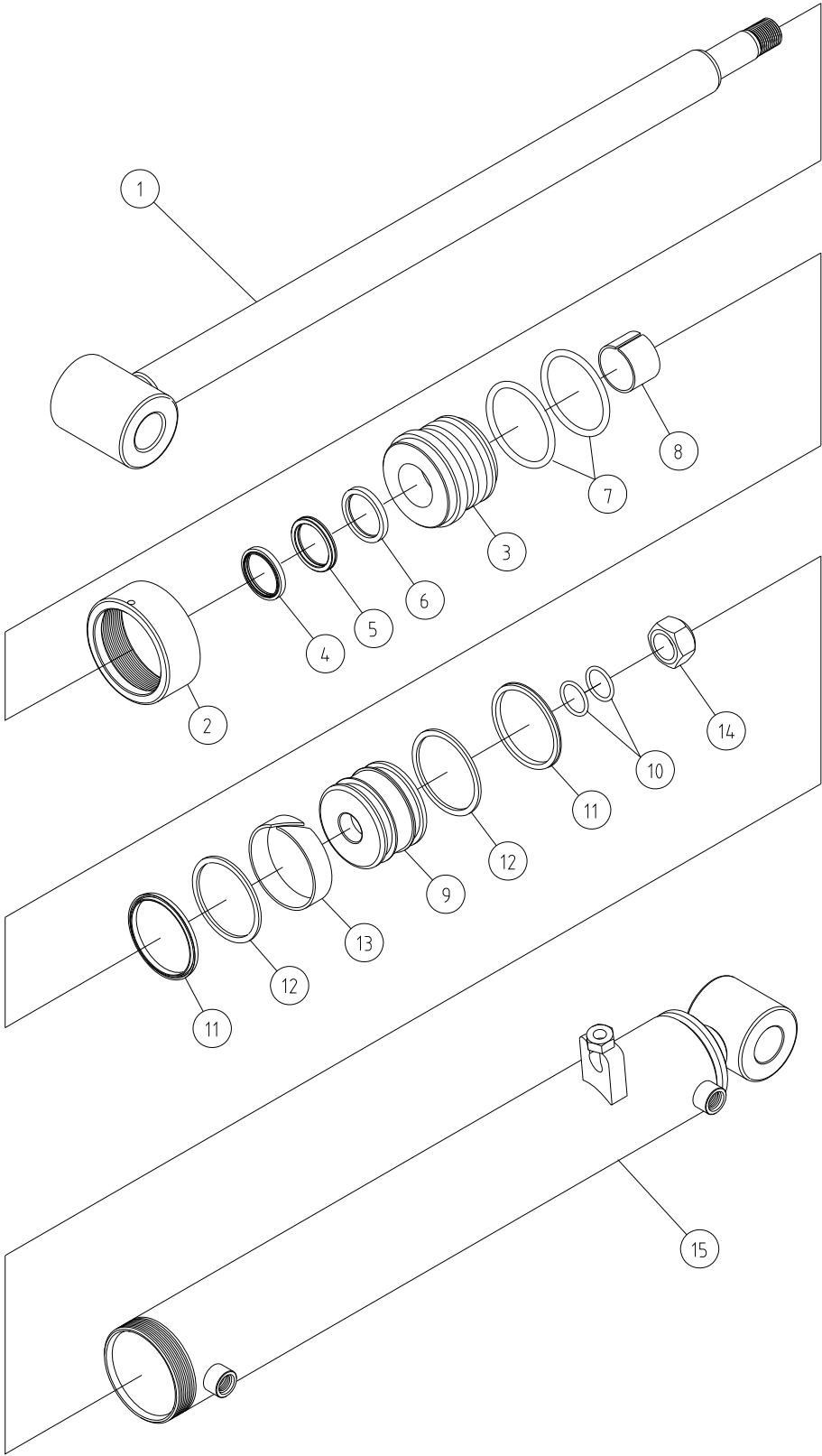
BUCKET CYLINDER (Manual)

REF.NO	PART.NO	DESCRIPTION	QTY	I.C	REMARK
-	KLD55-83120	CYLINDER ASS'Y, BUCKET-LH	1	←	
-	224803	CYLINDER ASS'Y, BUCKET-LH	1	←	
-	KLD55-83130	CYLINDER ASS'Y, BUCKET-RH	1	←	
-	224804	CYLINDER ASS'Y, BUCKET-RH	1	←	
1	2243-6100	ROD ASS'Y	1	←	
1	224803-R	ROD ASS'Y	1	←	
1	224804-R	ROD ASS'Y	1	←	
2	0C50-6040	CAP, OUTER	1		
3	1C50-3565	COVER, INNER	1		
4	DSSD-R035	DUST	1		
5	UPSK-Y035	PACKING, U	1		
6	UPIS-I035	PACKING, U	1		
7	OR1B-G045	O-RING	2		
8	DU03-5030	BUSHING, DU	1		
9	PI50-2750	PISTON	1		
10	OR1B-G027	O-RING	2		
11	UPOS-I050	PACKING, U	2		
12	TRBR-0040	BACKUP RING	2		
13	WEWR-0050	WEARING	1		
14	NTP0-U100-C	NUT	1		
15	2243-5200	TUBE ASS'Y -LH	1	←	
15	224803-T	TUBE ASS'Y -RH	1	←	
15	2243-6200	TUBE ASS'Y -RH	1	←	
15	224804-T	TUBE ASS'Y -RH	1	←	

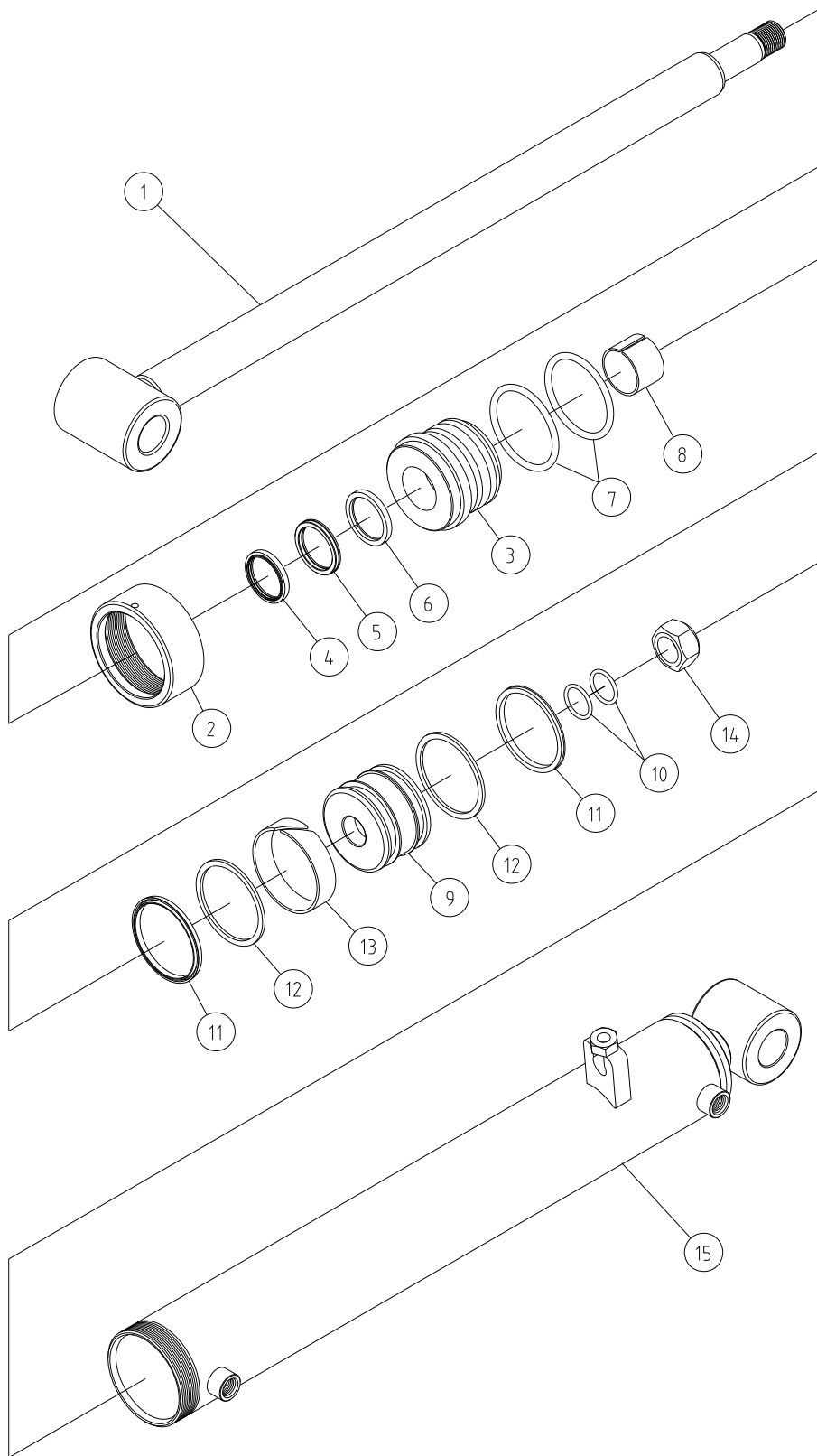
BUCKET CYLINDER (Self Leveling Device)



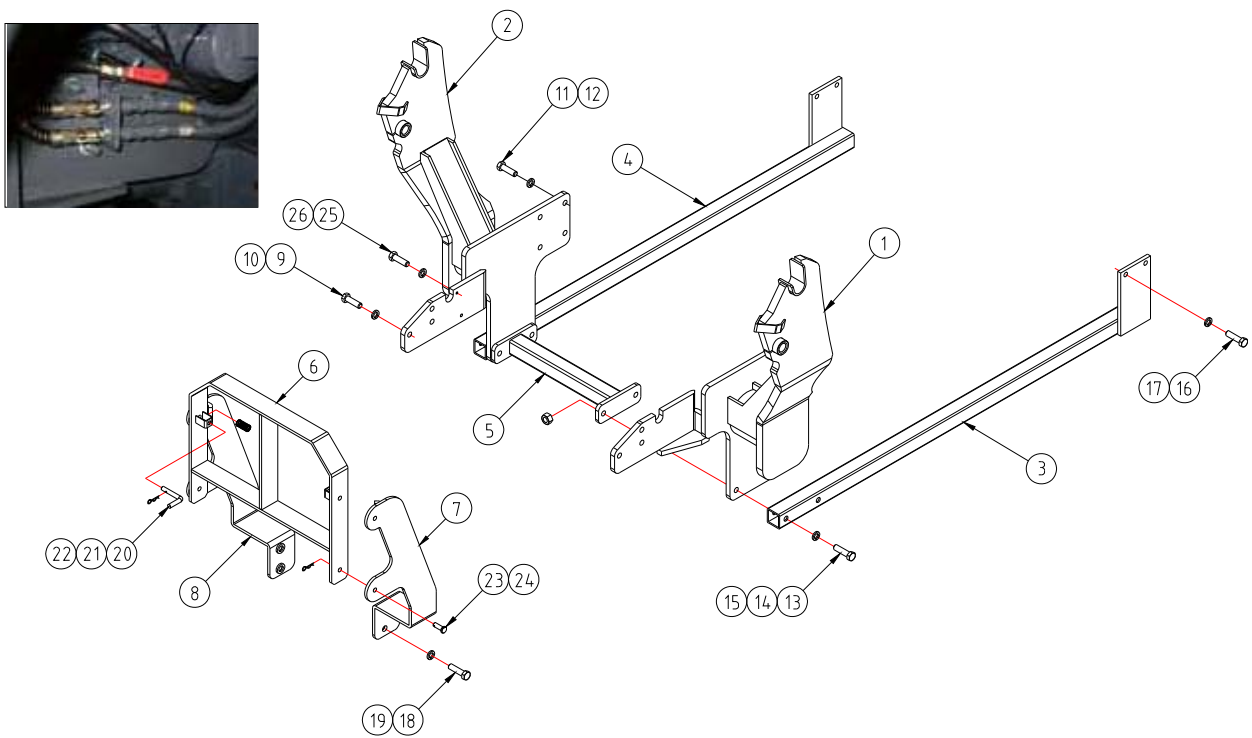
BUCKET CYLINDER (Self Leveling Device)



BUCKET CYLINDER (Self Leveling Device)



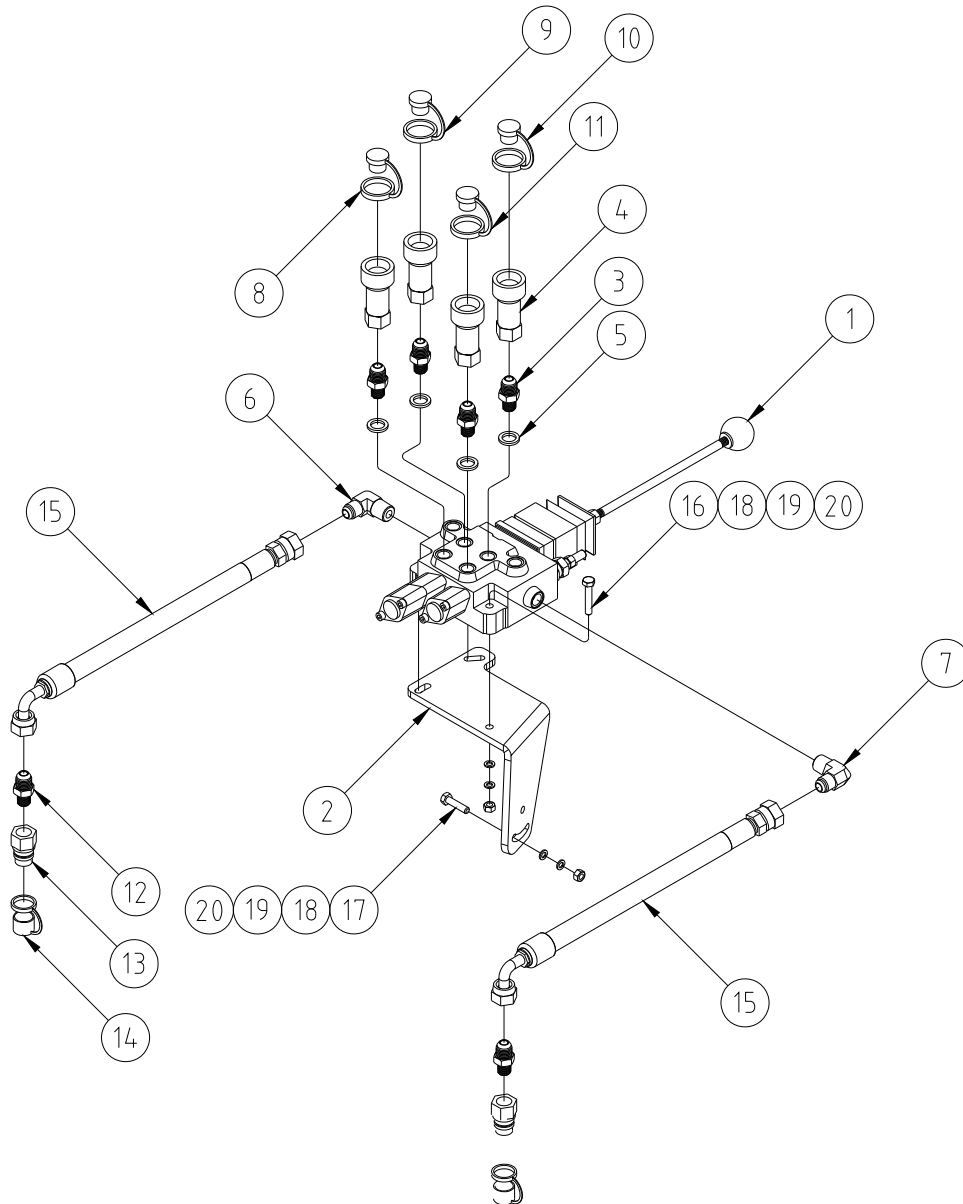
MOUNTING FRAME ASSEMBLY



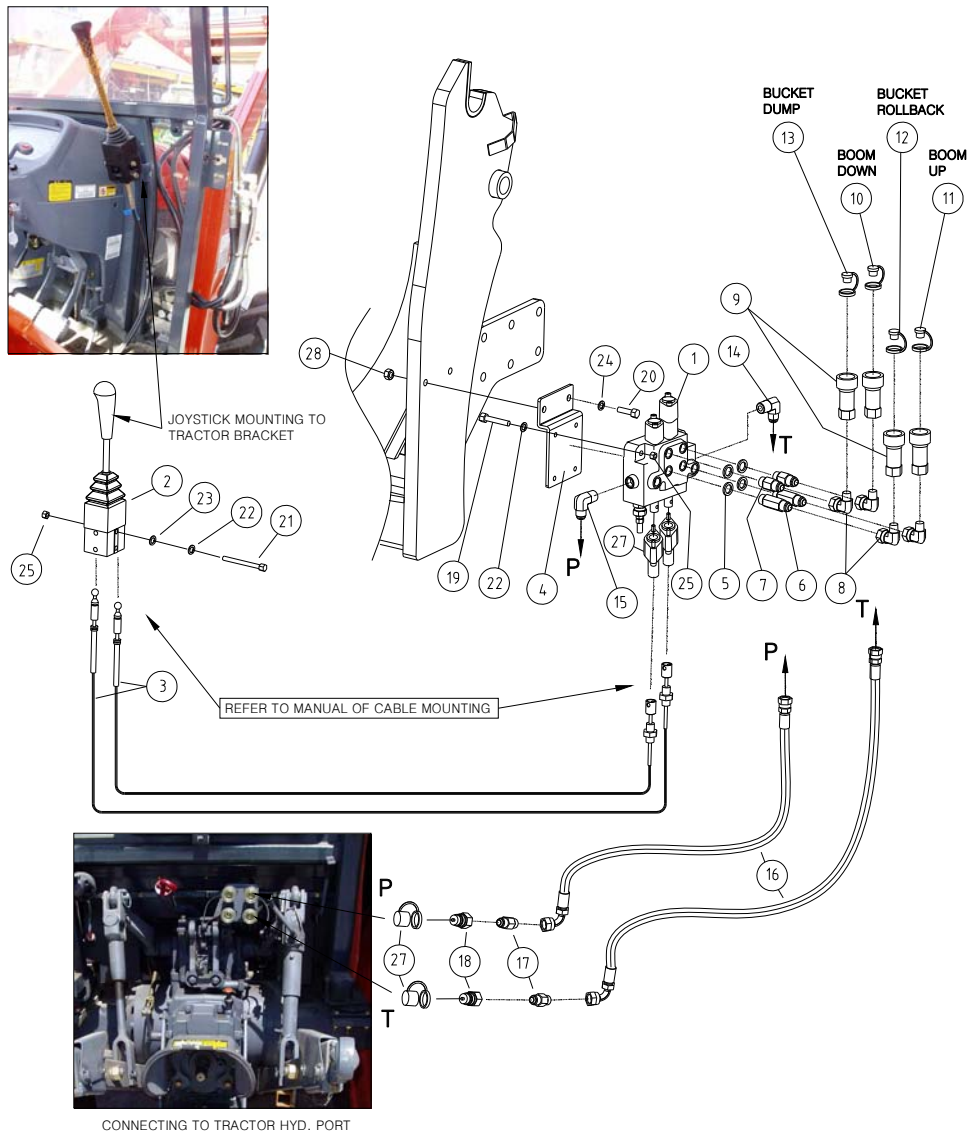
MOUNTING FRAME ASSEMBLY

REF.NO	PART.NO	DESCRIPTION	QTY	I.C	REMARK
1	LDM36-11300-02	MOUNTING FRAME W.A-FRONT L/H	1		
2	LDM36-11400-04	MOUNTING FRAME W.A-FRONT R/H	1		
3	LDM31-11100	MOUNTING FRAME W.A-REAR L/H	1		
4	LDM31-11200	MOUNTING FRAME W.A-REAR R/H	1		
5	LDM36-11310	CROSS BAR W.A	1		
6	LDM36-12200	GRILLE W.A	1		
7	FTG05-10200	GRILLE W.A-LH	1		
8	FTG05-10300	GRILLE W.A-RH	1		
9	10191-M1404-40	HEX.BOLT, M14-1.5P 40L	6		
10	10316-M1400	WASHER-SPRING, Φ 14	6		
11	10191-M1404-40	HEX.BOLT, M14-1.5P 40L	8		
12	10316-M1400	WASHER-SPRING, Φ 14	8		
13	10191-M1404-C0	HEX.BOLT, M14-1.5P 120L	4		
14	10316-M1400	WASHER-SPRING, Φ 14	4		
15	10261-M1404	HEX.NUT, M14-1.5P	4		
16	10191-M1203-35	HEX.BOLT, M12-1.25P 35L	4		
17	10316-M1200	WASHER-SPRING, Φ 12	4		
18	10191-M1604-50	HEX.BOLT, M16-1.5P 50L	4		
19	10316-M1600	WASHER-SPRING, Φ 16	4		
20	LDL53-12107	PIN, Φ 12	2		
21	LK01-0203	SPRING, Φ 1.5	2		
22	14011-03000	R-PIN, Φ 3	4		
23	LDL53-12108	PIN, Φ 20	2		
24	10321-M1200	WASHER-PLAIN, Φ 12-27L	2		
25	10191-M1004-20	HEX.BOLT, M10-1.5P 20L	2		
26	10316-M1000	WASHER-SPRING, Φ 10	2		

HYDRAULIC SYSTEM (ONE LEVER TYPE)



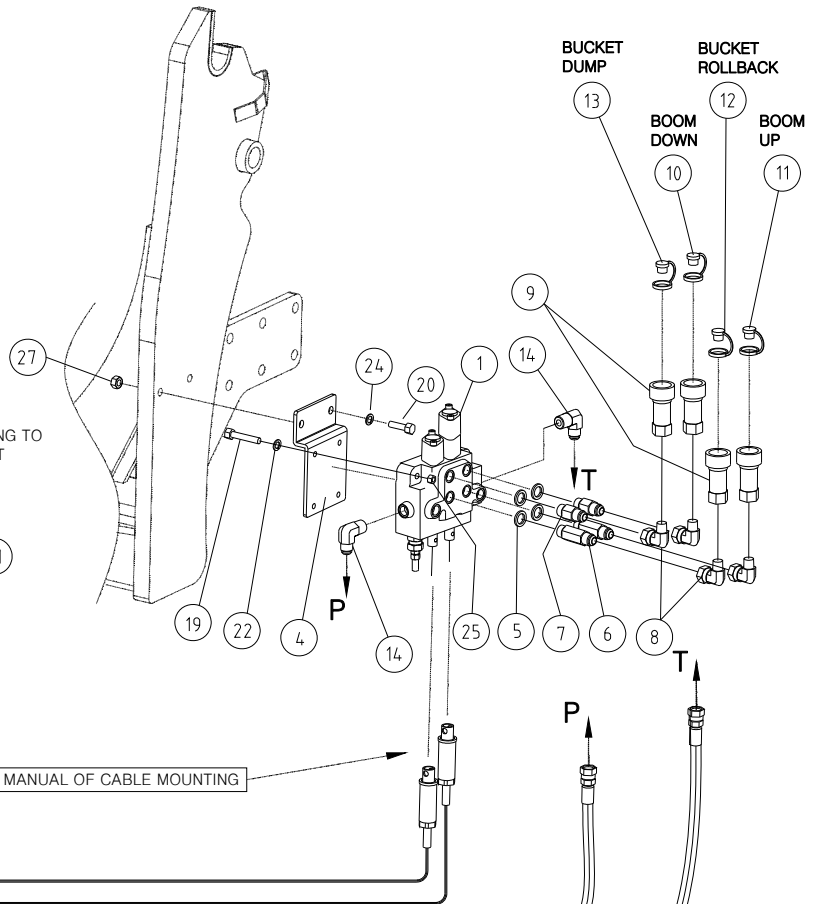
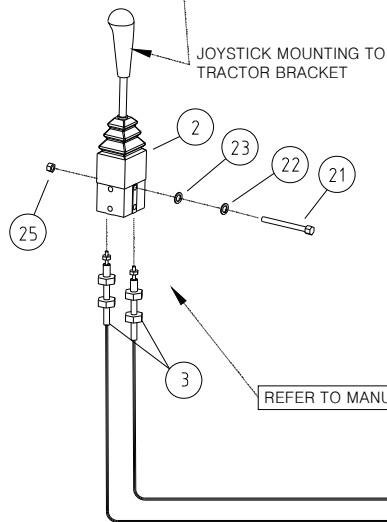
HYDRAULIC SYSTEM (REMOTE TYPE)



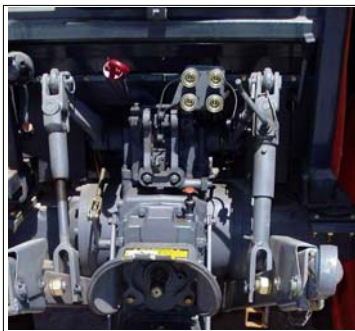
HYDRAULIC SYSTEM (REMOTE TYPE)

REF.NO	PART.NO	DESCRIPTION	QTY	I.C	REMARK
1	LDM36-51114	DIRECTIONAL CONTROL VALVE	1		
2	LDL56-51115	JOYSTIC CONTROL LEVER	1		
3	LDL56-51113	CABLE	2		
4	LDM31-51101	BRACKET, VALVE	1		
5	6006-0020	WASHER, COPPER	4	←	OLD NO.
5	103C0-C0330	WASHER, COPPER, 3/8"	4	└┘	
6	6004-0512	NIPPLE, PF3/8, COPPERx3/4-16UNF, HOSE LONG	2	←	OLD NO.
6	802N2-P46F9-4M	NIPPLE, PF3/8, COPPERx3/4-16UNF, HOSE LONG	2	└┘	
7	6004-0511	NIPPLE, PF3/8, COPPERx3/4-16UNF, HOSE	2	←	OLD NO.
7	802N2-P46F9-41	NIPPLE, PF3/8, COPPERx3/4-16UNF, HOSE	2	└┘	
8	6004-0113	NIPPLE, PT3/8x3/4-16UNF, SWIVEL 90 °	4	←	OLD NO.
8	802L2-T46F9-4S	NIPPLE, PT3/8x3/4-16UNF, SWIVEL 90 °	4	└┘	
9	80420-T3360	QUICK COUPLER, PT3/8" FEMALE	4		
10	0001-1004	DUST CAP, 3/8" MALE, BLACK	1	←	OLD NO.
10	8043K-03300	DUST CAP, 3/8" MALE, BLACK	1	└┘	
11	LGM51-51102	DUST CAP, 3/8" MALE, YELLOW	1	←	OLD NO.
11	8043Y-03300	DUST CAP, 3/8" MALE, YELLOW	1	└┘	
12	SL045-48020	DUST CAP, 3/8" MALE, RED	1	←	OLD NO.
12	8043R-03300	DUST CAP, 3/8" MALE, RED	1	└┘	
13	LGN51-51101	DUST CAP, 3/8" MALE, BLUE	1	←	OLD NO.
13	8043B-03300	DUST CAP, 3/8" MALE, BLUE	1	└┘	
14	6003-0301	NIPPLE, 3/4-16UNF, HOSEx PT1/2 90 °	1	←	OLD NO.
14	802L2-F94T6-30	NIPPLE, 3/4-16UNF, HOSEx PT1/2 90 °	1	└┘	
15	6004-0112	NIPPLE, PT3/8x3/4-16UNF, HOSE 90 °	1	←	OLD NO.
15	802L2-T46F9-40	NIPPLE, PT3/8x3/4-16UNF, HOSE 90 °	1	└┘	
16	LDM36-51301	HOSE SET, 904(3/4-16UNF)- 4(3/4-16UNF) 3000L(3/8)	2	←	OLD NO.
16	80620-05004	HOSE SET, 904(3/4-16UNF)- 4(3/4-16UNF) 3000L(3/8)	2	└┘	
17	6003-0408	NIPPLE, PT1/2x3/4-16UNF, HOSE	2	←	OLD NO.
17	802N2-F94T6-30	NIPPLE, PT1/2x3/4-16UNF, HOSE	2	└┘	
18	80410-T1130	QUICK COUPLER, PT1/2" MALE	2		
19	S1052-50860	HEX. BOLT, M8-1.25P 60L	3	←	OLD NO.
19	10121-M0803-60	HEX. BOLT, M8-1.25P 60L	3	└┘	
20	S1056-51245	HEX. BOLT, M12-1.75P 45L	2	←	OLD NO.
20	10191-M1205-45	HEX. BOLT, M12-1.75P 45L	2	└┘	

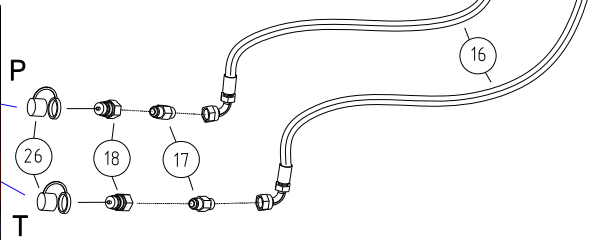
HYDRAULIC SYSTEM (WALVOIL TYPE)



REFER TO MANUAL OF CABLE MOUNTING



CONNECTING TO TRACTOR HYD. PORT



HYDRAULIC SYSTEM (WALVOIL TYPE)

REF.NO	PART.NO	DESCRIPTION	QTY	I.C	REMARK
1	801W4-80000	DIRECTIONAL CONTROL VALVE	1		
2	801W4-80J01	JOYSTIC CONTROL LEVER	1		
3	801W4-80C01	CABLE KIT	2		
4	LDM31-51101	BRACKET, VALVE	1		
5	103C0-C0330	WASHER, COPPER, 3/8"	4		
6	802N2-P46F9-4M	NIPPLE, PF3/8, COPPERx3/4-16UNF, HOSE LONG	2		
7	802N2-P46F9-4I	NIPPLE, PF3/8, COPPERx3/4-16UNF, HOSE	2		
8	802L2-T46F9-4S	NIPPLE, PT3/8x3/4-16UNF, SWIVEL 90 °	4		
9	80420-T3360	QUICK COUPLER, PT3/8" FEMALE	4		
10	8043K-03300	DUST CAP, 3/8" MALE, BLACK	1		
11	8043Y-03300	DUST CAP, 3/8" MALE, YELLOW	1		
12	8043R-03300	DUST CAP, 3/8" MALE, RED	1		
13	8043B-03300	DUST CAP, 3/8" MALE, BLUE	1		
14	802L2-T46F9-4O	Nipple, PT3/8x3/4-16UNF, HOSE 90 °	2		
16	80620-05004	HOSE SET, 904(3/4-16UNF)- 4(3/4-16UNF) 3000L(3/8)	2		
17	802N2-F94T6-30	NIPPLE, PT1/2x3/4-16UNF, HOSE	2		
18	80410-T1130	QUICK COUPLER, PT1/2" MALE	2		
19	10121-M0803-60	HEX. BOLT, M8-1.25P 60L	3		
20	10191-M1205-45	HEX. BOLT, M12-1.75P 45L	2		
21	10121-M0803-90	HEX. BOLT, M8-1.25P 90L	2		
22	10316-M0800	WASHER-SPRING, Φ8	5		
23	10321-M0800	WASHER-PLAIN, Φ8	2		
24	10316-M1200	WASHER-SPRING, Φ12	2		
25	10211-M0803	HEX. NUT, M8-1.25P	5		
26	8044K-01100	DUST CAP, 1/2" FEMALE, BLACK	2		
27	10261-M1205	HEX. NUT, M12-1.75P	2		